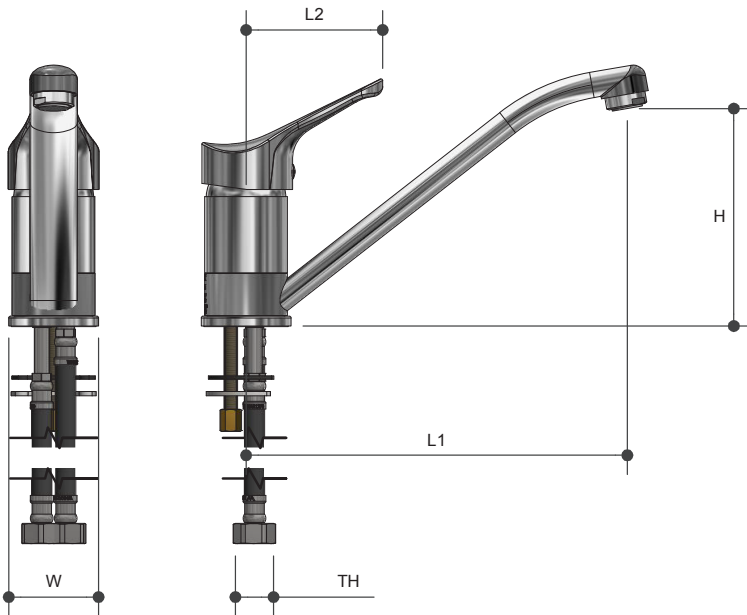


Whitehall EZY Clean Sink Mixer

2827

Product Specifications

MT MONOPOLY™
T A P W A R E



Specifications

Maximum working temperature 80°C

Maximum pressure rating 1000kPa

Sizing Chart [MM]

Model	H	W	L1	L2	TH
2827	128	53	225	80	G 1/2"

Features

Watermark approved

Chrome plated finish

Swivel spout

Tested and certified to AS/NZS 3718



For more information on Monopoly Tapware, contact:
Austworld 15 Activity Crescent, Molendinar, Queensland 4214 Australia

P. 1300 780 430 F. 1300 780 441 E. info@austworld.com.au

Austworld Pty Ltd. All rights reserved 2018. Austworld and Monopoly Tapware are registered trade mark belonging to Austworld Pty Ltd.

