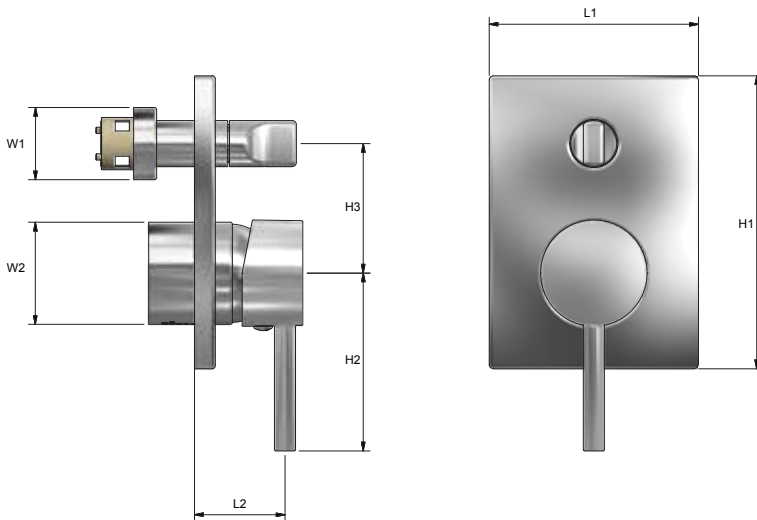


# Pino Shower Mixer Diverter

4218

## Product Specifications

**MT** MONOPOLY™  
T A P W A R E



### Specifications

Maximum working temperature 80°C

Maximum pressure rating 1000kPa

### Sizing Chart [MM]

	L1	L2	H1	H2	H3	W1	W2
4218	100	43	140	85	62	49	35

### Features

Watermark approved

Chrome plated finish

Ceramic diverter

Tested and certified to AS/NZS 3718



For more information on Monopoly Tapware, contact:  
Austworld 15 Activity Crescent, Molendinar, Queensland 4214 Australia

P. 1300 780 430 F. 1300 780 441 E. [info@austworld.com.au](mailto:info@austworld.com.au)

Austworld Pty Ltd. All rights reserved 2018. Austworld and Monopoly Tapware are registered trade mark belonging to Austworld Pty Ltd.

**AW**  
AUSTWORLD