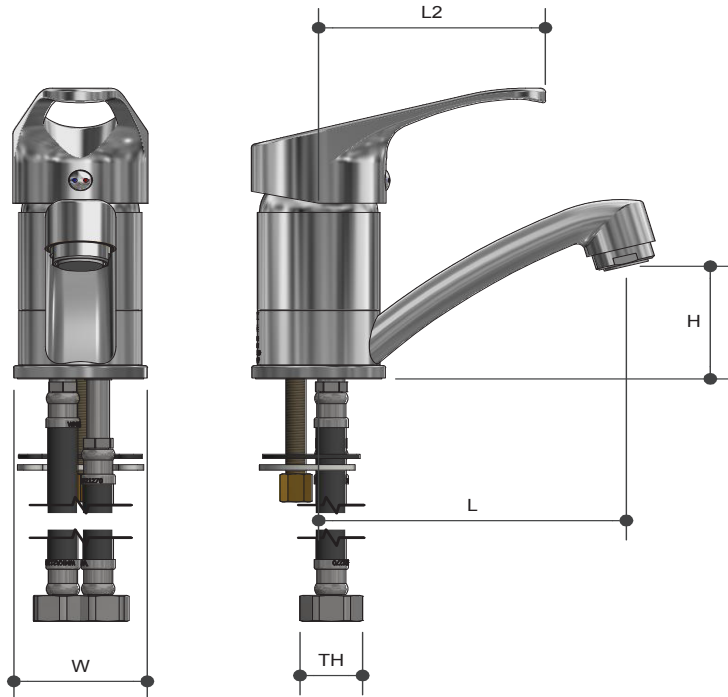


# Old Kent Basin Mixer Swivel

## Product Specifications



### Specifications

Maximum working temperature 80°C

Maximum pressure rating 1000kPa

### Sizing Chart (MM)

	L1	L2	H	W	TH
8353	122	90	52	53	6 1/2"
2889	171	90	87	53	6 1/2"

**MT** MONOPOLY™  
TAPWARE



### Features

Watermark approved

Chrome plated finish

Tested and certified to AS/NZS 3718



For more information on Monopoly Tapware, contact:  
Austworld 15 Activity Crescent, Molendinar, Queensland 4214 Australia

P. 1300 780 430 F. 1300 780 441 E. info@austworld.com.au

Austworld Pty Ltd. All rights reserved 2018. Austworld and Monopoly Tapware are registered trade mark belonging to Austworld Pty Ltd.

**AW**  
AUSTWORLD