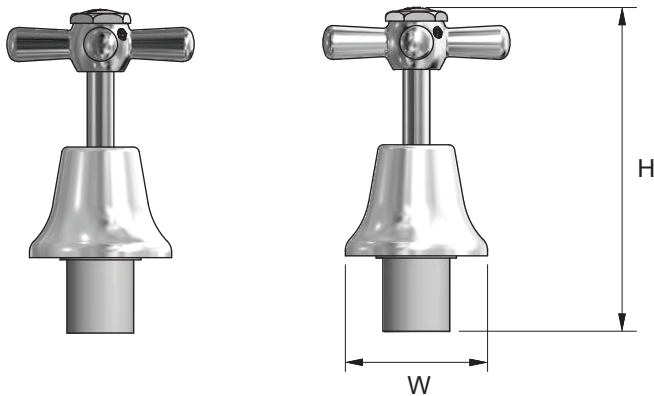


# Whitehall EZY Clean Basin Top Assemblies

9229

## Product Specifications

**MT** MONOPOLY™  
T A P W A R E



### Specifications

Maximum working temperature 80°C

Max working pressure 1000kPa

### Sizing Chart (MM)

	H	W
9229	114	50

### Features

Watermark approved

Red and blue buttons included

Anti vandal

Chrome plated finish

Premium jumper valve

Tested and certified to AS/NZS 3718



For more information on Monopoly Tapware, contact:  
Austworld 15 Activity Crescent, Molendinar, Queensland 4214 Australia

P. 1300 780 430 F. 1300 780 441 E. [info@austworld.com.au](mailto:info@austworld.com.au)

Austworld Pty Ltd. All rights reserved 2018. Austworld and Monopoly Tapware are registered trade mark belonging to Austworld Pty Ltd.

**AW**  
AUSTWORLD