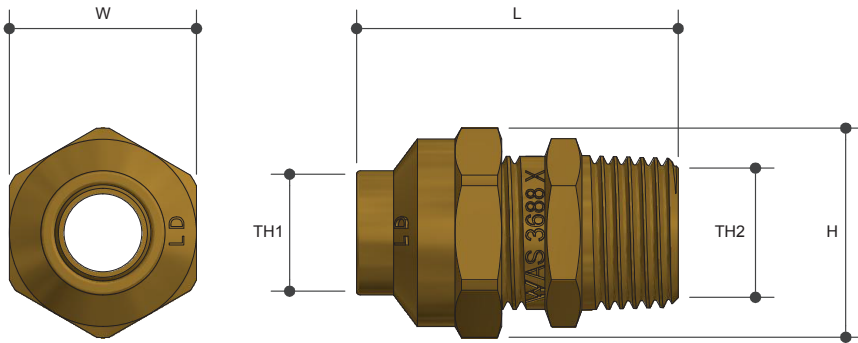


# FLARED COMPRESSION

Union M I X C

Product Specifications

Metforge®  
b r a s s w a r e



## Specifications

Maximum working temperature 1 °C to 95 °C

Maximum pressure rating 1600kPa

## Features

Watermark approved

Brass and chrome finish

Tested and certified to AS 3688

## Sizing Chart (MM)

	L	H	W	TH1	TH2
AW84	31	20	18	6C	R 1/4"
AW93	38	24	22	10C	R 3/8"
AW102	43	28	25	15C	R 1/2"
AW102NB	43	28	25	15C	R 1/2"
AW103*	43	28	25	15C	R 1/2"
AW111	52	35	32	25C	R 3/4"
AW111NB	52	35	32	25C	R 3/4"
AW119	54	43	38	25C	R 1"
AW125	68	47	47	32C	R 1 1/4"
AW125NB	68	47	47	32C	R 1 1/4"
AW130	71	58	55	40C	R 1 1/2"
AW134	73	71	66	50C	R 2"

\* Chrome Plated

## Material Chart

Part	Material
Union	DR Brass
Compression Nut	DR Brass

For more information on Metforge, contact:  
Austworld 15 Activity Crescent, Molendinar, Queensland 4214 Australia  
P. 1300 780 430 F. 1300 780 441 E. info@austworld.com.au

Austworld Pty Ltd. All rights reserved 2018. Austworld and Metforge are registered trade mark belonging to Austworld Pty Ltd.

**AW**  
AUSTWORLD