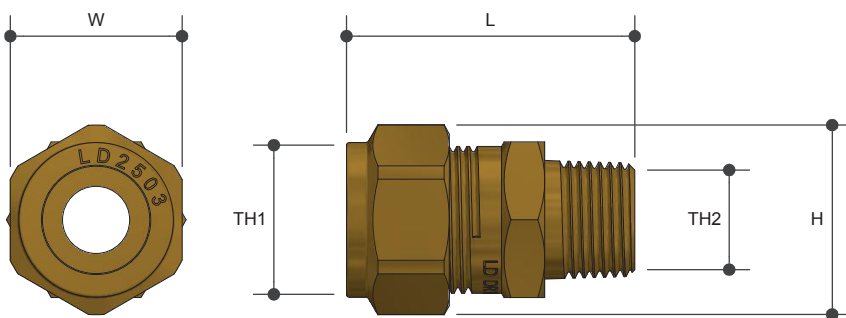


NYLON COMPRESSION

Union MI X C Reducing

Product Specifications



Specifications

Maximum working temperature 1 °C to 95 °C

Maximum pressure rating 1600kPa

Features

Watermark approved

Brass and chrome finish

Tested and certified to AS 3688

Sizing Chart (MM)

	L	H	W	TH1	TH2
AW1113	51	34	31	20C	R 1/2"
AW1119	51	34	31	20C	R 1/2"
AW1112	39	30	28	15C	R 3/4"
AW1118	39	30	28	15C	R 3/4"

* Chrome Plated

Material Chart

Part	Material
Nipple	DR Brass
Compression Nut	DR Brass
Olive	Nylon

For more information on Metforge, contact:

Austworld 15 Activity Crescent, Molendinar, Queensland 4214 Australia

P. 1300 780 430

F. 1300 780 441

E. info@austworld.com.au

Austworld Pty Ltd. All rights reserved 2018. Austworld and Metforge are registered trade mark belonging to Austworld Pty Ltd.

