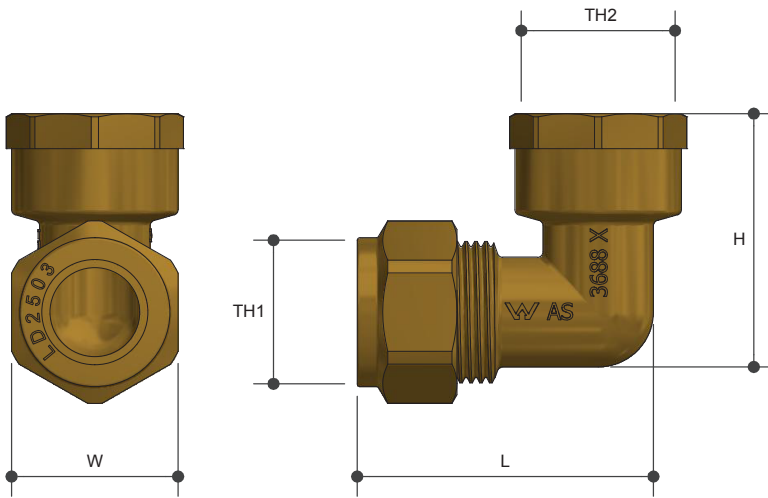


COPPER COMPRESSION

Elbow FI X C

Product Specifications



Specifications

Maximum working temperature 1°C to 95°C

Maximum pressure rating 1600kPa

Features

Watermark approved

DR Brass

Tested and certified to AS 3688

Sizing Chart (MM)

	L	H	W	TH1	TH2
AW2150	48	44	25	15C	Rp 1/2"
AW2150NB	48	44	25	15C	Rp 1/2"
AW2151	54	47	31	20C	Rp 3/4"
AW2151NB	54	47	31	20C	Rp 3/4"

Material Chart

Part	Material
Elbow	DR Brass
Compression Nut	DR Brass
Olive	Copper

For more information on Metforge, contact:

Austworld 15 Activity Crescent, Molendinar, Queensland 4214 Australia

P. 1300 780 430

F. 1300 780 441

E. info@austworld.com.au

Austworld Pty Ltd. All rights reserved 2018. Austworld and Metforge are registered trade mark belonging to Austworld Pty Ltd.

