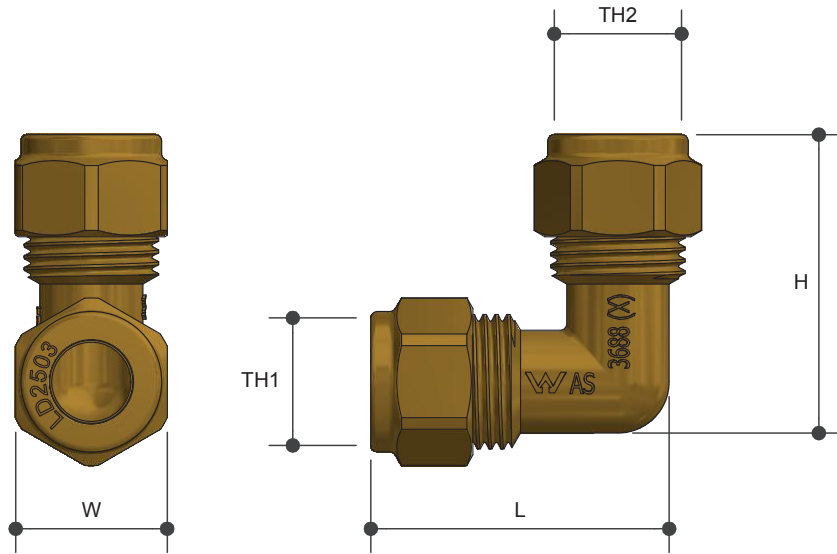


NYLON COMPRESSION

Elbow C X C

Product Specifications



Specifications

Maximum working temperature 1 °C to 95 °C

Maximum pressure rating 1600kPa

Features

Watermark approved

Brass and chrome finish

Tested and certified to AS 3688

Sizing Chart (MM)

	L	H	W	TH
AW1130	45	45	23	15C
AW1136*	45	45	23	15C
AW1131	54	54	31	20C
AW1137*	54	54	31	20C
AW3130	60	60	37	25C

* Chrome Plated

Material Chart

Part	Material
Elbow	DR Brass
Compression Nut	DR Brass
Olive	Nylon

For more information on Metforge, contact:
Austworld 15 Activity Crescent, Molendinar, Queensland 4214 Australia
P. 1300 780 430 F. 1300 780 441 E. info@austworld.com.au

Austworld Pty Ltd. All rights reserved 2018. Austworld and Metforge are registered trade mark belonging to Austworld Pty Ltd.

