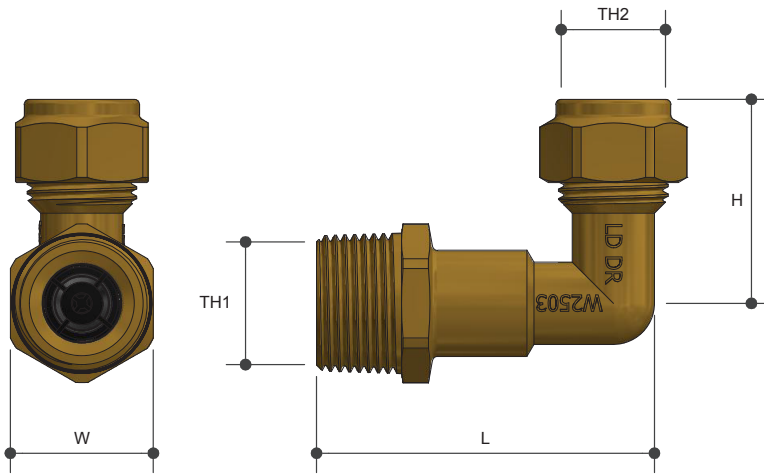


NON RETURN VALVE

Elbow with Single Check Valve Copper Compression

Product Specifications



Specifications

Maximum working temperature 60°C

Maximum working pressure 1200KPa

Features

DR Brass

Suitable for vertical and horizontal installations

Excellent flow rates

Sizing Chart (MM)

	L	H	W	TH1	TH2
AW3142	42	20	22	G 3/8"	G 3/8"

Material Chart

Part	Material
Elbow	DR BRass
Check Valve	POM
Compression Nut	DR Brass
Olive	Copper

For more information on Logi Valve, contact:
Austworld 15 Activity Crescent, Molendinar, Queensland 4214 Australia
P. 1300 780 430 F. 1300 780 441 E. info@austworld.com.au

Austworld Pty Ltd. All rights reserved 2018. Austworld and Logi Valve are registered trade mark belonging to Austworld Pty Ltd.

