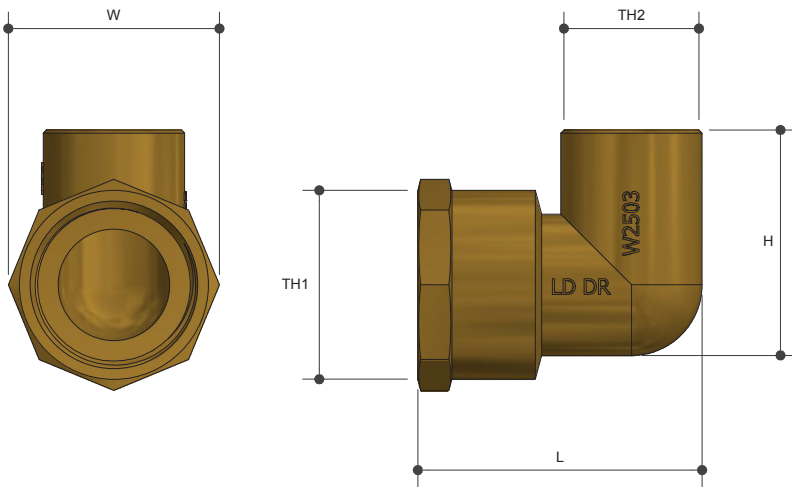


# BRASS CAPILLARY

Elbow FI X Cap No. 14

Product Specifications



## Specifications

Working temperature 1°C - 99°C

Maximum pressure 1600kPa

## Sizing Chart (MM)

	L	H	W	TH1	TH2
AW383	34	30	26	Rp 1/2"	15OD
AW397	44	24	26	Rp 1/2"	20OD
AW385	46	25	32	Rp 3/4"	20OD
AW398	47	32	34	Rp 1"	25OD
AW399	54	33	42	Rp 1"	25OD

## Features

Watermark Approved

DR Brass

Tested and certified to AS 3688

## Material Chart

Part	Material
Elbow	DR Brass

For more information on Metforge, contact:

Austworld 15 Activity Crescent, Molendinar, Queensland 4214 Australia

P. 1300 780 430

F. 1300 780 441

E. [info@austworld.com.au](mailto:info@austworld.com.au)

Austworld Pty Ltd. All rights reserved 2018. Austworld and Metforge are registered trade mark belonging to Austworld Pty Ltd.

