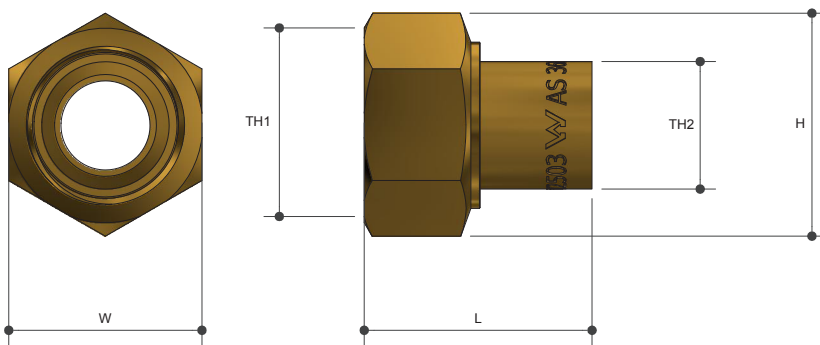


BRASS CAPILLARY

Connection Straight Tap No. 62

Product Specifications

Metforge®
b r a s s w a r e



Specifications

Working temperature 1°C - 99°C

Maximum pressure 1600kPa

Sizing Chart (MM)

	L	H	W	TH1	TH2
AW420	30	29	25	G 1/2"	15OD
AW421	45	35	31	G 3/4"	20OD

Features

Watermark Approved

DR Brass

Tested and certified to AS 3688



Material Chart

Part	Material
Adaptor	DR Brass
Nut	DR Brass

For more information on Metforge, contact:

Austworld 15 Activity Crescent, Molendinar, Queensland 4214 Australia

P. 1300 780 430

F. 1300 780 441

E. info@austworld.com.au

Austworld Pty Ltd. All rights reserved 2018. Austworld and Metforge are registered trade mark belonging to Austworld Pty Ltd.

AW
AUSTWORLD