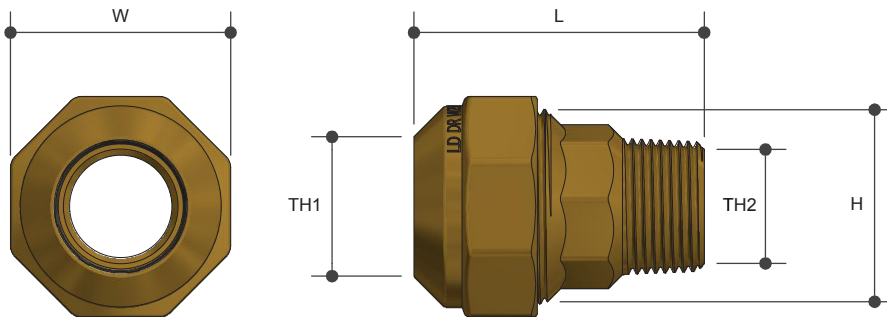


POLY CONNECTORS

Union DN X MI

Product Specifications



Specifications

Working temperature -20°C to 60°C

Max. pressure rating 1600kPa

Sizing Chart (MM)

	L	H	W	TH1	TH2
AW4200	57	38	41	DN25	R 3/4"
AW4203	60	37	43	DN25	R 1"
AW4204	60	44	50	DN32	R 1"

Features

Watermark approved

DR Brass

100% pressure tested

No disassembly required, pipe can be inserted without disassembling the fitting

Triple lip seal

No fiddy thimbles or grab rings

Spare parts available

Tested and certified to AS 4796



Material Chart

Part	Material
Socket	DR Brass
Clamp Ring	POM Acetal Resin
Nut	DR Brass
Seal	EPDM

For more information on Logi Civil, contact:
Austworld 15 Activity Crescent, Molendinar, Queensland 4214 Australia
P. 1300 780 430 F. 1300 780 441 E. info@austworld.com.au

Austworld Pty Ltd. All rights reserved 2018.
Austworld and Logi Civil are registered trade mark belonging to Austworld Pty Ltd.

