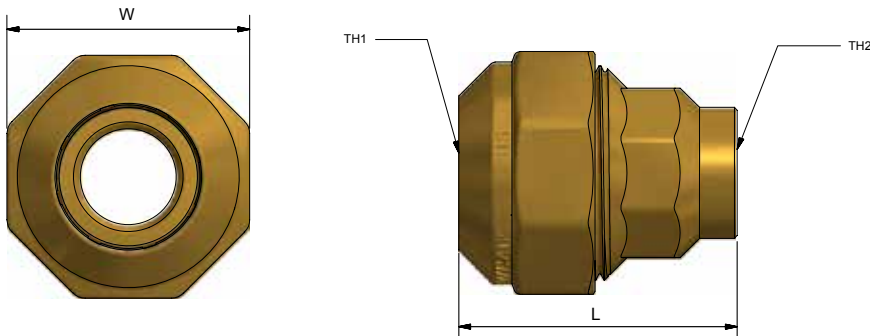


POLY CONNECTORS

Union PE X Capillary

Product Specifications



Specifications

Working temperature -20°C to 60°C

Max. pressure rating 1600kPa

Sizing Chart (MM)

	L	W	TH1	TH2
AW4208	49	43	25PE	20CU
AW4209	50	50	32PE	25CU

Features

Watermark approved

DR Brass

100% pressure tested

No disassembly required, pipe can be inserted without disassembling the fitting

Triple lip seal

No fiddy thimbles or grab rings

Spare parts available

Tested and certified to AS 4796

Material Chart

Part	Material
Seal	EPDM
Nut	DR Brass
Body	DZR Brass
O Ring	POM

For more information on Logi Civil, contact:
Austworld 15 Activity Crescent, Molendinar, Queensland 4214 Australia
P. 1300 780 430 F. 1300 780 441 E. info@austworld.com.au

Austworld Pty Ltd. All rights reserved 2018.

Austworld and Logi Civil are registered trade mark belonging to Austworld Pty Ltd.

