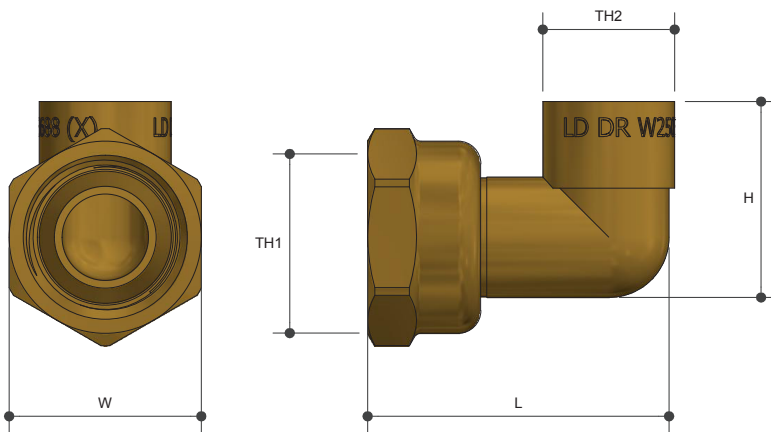


BRASS CAPILLARY

Connector Bent Tap No. 63

Product Specifications

Metforge®
brassware



Specifications

Working temperature 1°C - 99°C

Maximum pressure 1600kPa

Sizing Chart (MM)

	L	H	W	TH1	TH2
AW426	40	18	26	G 1/2"	DN15
AW427	52	28	32	G 3/4"	DN20

Features



Watermark Approved

DR Brass

Tested and certified to AS 3688

Material Chart

Part	Material
Elbow	DR Brass
Nut	DR Brass

For more information on Metforge, contact:

Austworld 15 Activity Crescent, Molendinar, Queensland 4214 Australia

P. 1300 780 430

F. 1300 780 441

E. info@austworld.com.au

Austworld Pty Ltd. All rights reserved 2018. Austworld and Metforge are registered trade mark belonging to Austworld Pty Ltd.

AW
AUSTWORLD