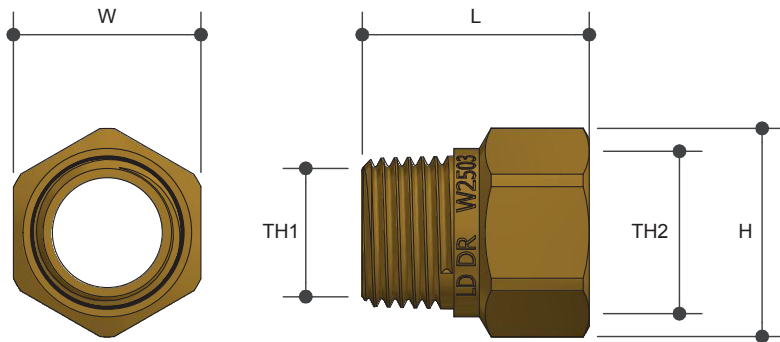


SCREWED BRASSWARE

Adaptor MI X FI

Product Specifications



Specifications

Working temperature 1 °C - 95 °C
 Maximum pressure rating 1600kPa

Sizing Chart (MM)

	L	H	W	TH1	TH2
AW463	23	21	18	R 1/4"	Rp 1/4"
AW464	24	25	22	R 3/8"	Rp 3/8"
AW465	31	28	26	R 1/2"	Rp 1/2"
AW465NB	31	28	26	R 1/2"	Rp 1/2"
AW466*	31	28	26	R 1/2"	Rp 1/2"
AW460	31	28	26	R 1/2"	Rp 1/2"
AW467	35	35	31	R 3/4"	Rp 3/4"
AW467NB	35	35	31	R 3/4"	Rp 3/4"
AW469	39	38	38	R 1"	Rp 1"
AW470	45	52	47	R 1 1/4"	Rp 1 1/4"
AW471	46	59	54	R 1 1/2"	Rp 1 1/2"
AW472	39	40	38	R 2"	Rp 2"

* Chrome Plated

Features



Watermark approved
 Brass and chrome finish
 Tested and certified to AS 3688

Material Chart

Part	Material
Adaptor	DR Brass

For more information on Metforge, contact:
 Austworld 15 Activity Crescent, Molendinar, Queensland 4214 Australia
 P. 1300 780 430 F. 1300 780 441 E. info@austworld.com.au

Austworld Pty Ltd. All rights reserved 2018. Austworld and Metforge are registered trade mark belonging to Austworld Pty Ltd.

