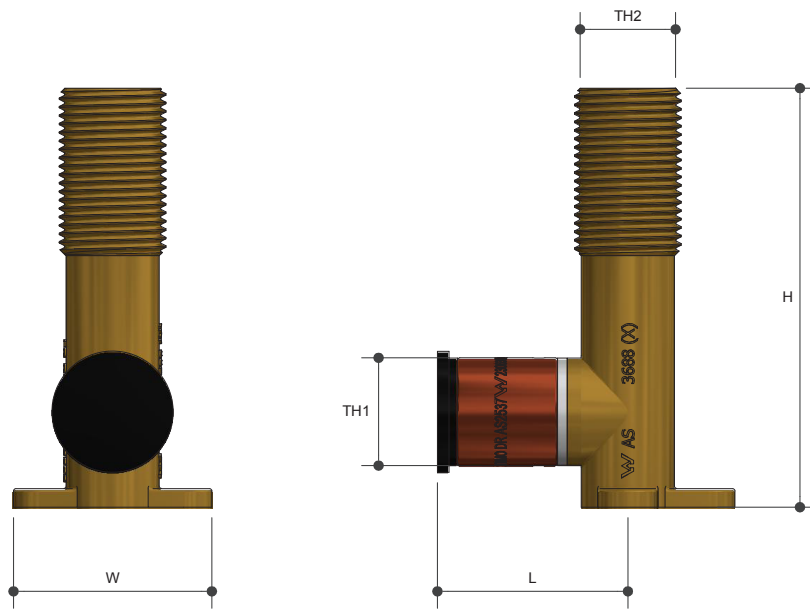


SCREWED BRASSWARE

Elbow Crimp PEX X MI for Recycled Water

Product Specifications

Metforge®
brassware



Specifications

Working temperature 1°C to 60°C

Maximum pressure rating 1000kPa

Sizing Chart [MM]

	L	H	W	TH1	TH2
AW490	41	90	43	DN20	G 5/8"
AW491	41	185	43	DN20	G 5/8"
AW493	41	220	43	DN20	G 5/8"

Features



Watermark approved

Material Chart

Part	Material
Body	DR Brass
Keeper Ring	LDPE
Cap	LDPE

For more information on Metforge, contact:
Austworld 15 Activity Crescent, Molendinar, Queensland 4214 Australia
P. 1300 780 430 F. 1300 780 441 E. info@austworld.com.au

Austworld Pty Ltd. All rights reserved 2018. Austworld and Metforge are registered trade mark belonging to Austworld Pty Ltd.

AW
AUSTWORLD