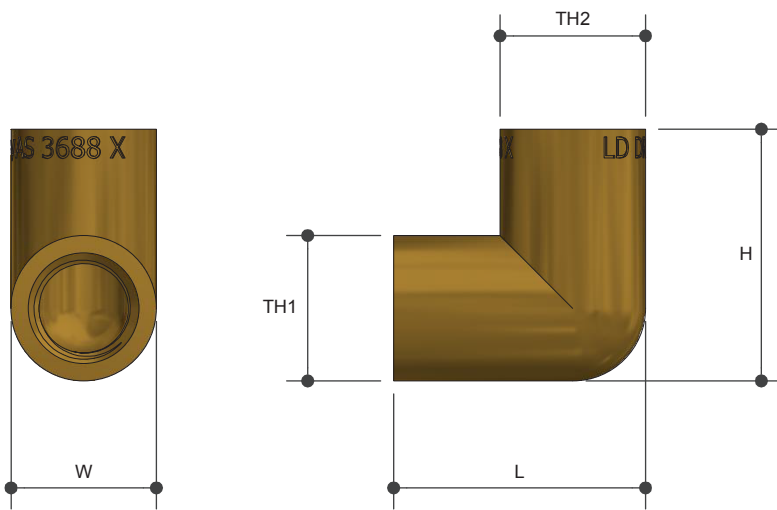


SCREWED BRASSWARE

Elbow Fl

Product Specifications



Specifications

Maximum working temperature 1 °C to 60 °C

Maximum pressure rating 1600kPa

Features

Watermark approved

Brass and chrome finish

Tested and certified to AS 3688

Sizing Chart (MM)

	L	H	W	TH1	TH2
AW545	24	24	14	Rp 1/8"	Rp 1/8"
AW546	28	28	17	Rp 1/4"	Rp 1/4"
AW547	35	36	22	Rp 3/8"	Rp 3/8"
AW548	38	38	25	Rp 1/2"	Rp 1/2"
AW548NB	38	38	25	Rp 1/2"	Rp 1/2"
AW549*	38	38	25	Rp 1/2"	Rp 1/2"
AW550	43	43	31	Rp 3/4"	Rp 3/4"
AW550NB	43	43	31	Rp 3/4"	Rp 3/4"
AW552	53	54	38	Rp 1"	Rp 1"
AW554	66	66	47	Rp 1 1/4"	Rp 1 1/4"
AW555	74	74	54	Rp 1 1/2"	Rp 1 1/2"
AW556	91	91	66	Rp 2"	Rp 2"

* Chrome Plated

Material Chart

Part	Material
Elbow	DR Brass

For more information on Metforge, contact:

Austworld 15 Activity Crescent, Molendinar, Queensland 4214 Australia

P. 1300 780 430

F. 1300 780 441

E. info@austworld.com.au

Austworld Pty Ltd. All rights reserved 2018. Austworld and Metforge are registered trade mark belonging to Austworld Pty Ltd.

