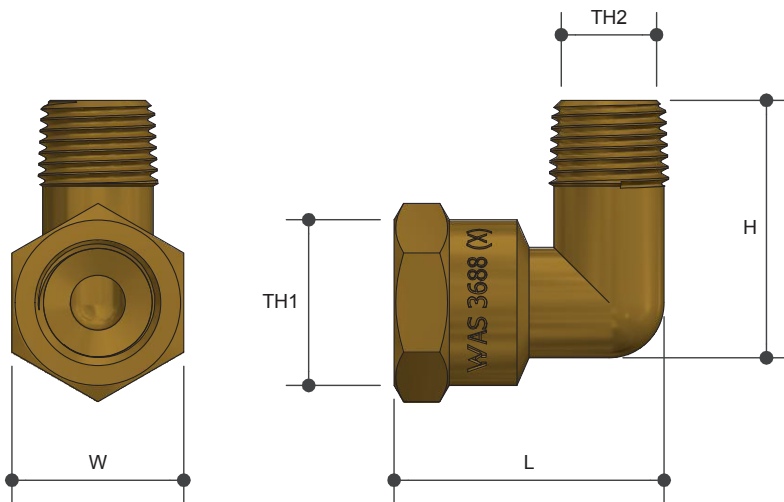


SCREWED BRASSWARE

Elbow MI X FI

Product Specifications



Specifications

Maximum working temperature 1°C to 60°C

Maximum pressure rating 1600kPa

Features

Watermark approved

Brass and chrome finish

Tested and certified to AS 3688

Sizing Chart (MM)

	L	H	W	TH1	TH2
AW559	22	21	14	Rp 1/8"	R 1/8"
AW560	30	33	18	Rp 1/4"	R 1/4"
AW561	39	40	21	Rp 3/8"	R 3/8"
AW562	44	40	26	Rp 1/2"	R 1/2"
AW562NB	44	40	26	Rp 1/2"	R 1/2"
AW565	35	38	26	Rp 1/2"	R 1/2"
AW563*	44	40	26	Rp 1/2"	R 1/2"
AW564	47	44	31	Rp 3/4"	R 3/4"
AW564NB	47	44	31	Rp 3/4"	R 3/4"
AW566	63	54	41	Rp 1"	R 1"
AW568	75	73	47	Rp 1 1/4"	R 1 1/4"
AW569	75	74	55	Rp 1 1/2"	R 1 1/2"
AW571	81	86	66	Rp 2"	R 2"

* Chrome Plated

Material Chart

Part	Material
Elbow	DR Brass

For more information on Metforge, contact:

Austworld 15 Activity Crescent, Molendinar, Queensland 4214 Australia

P. 1300 780 430

F. 1300 780 441

E. info@austworld.com.au

Austworld Pty Ltd. All rights reserved 2018. Austworld and Metforge are registered trade mark belonging to Austworld Pty Ltd.

