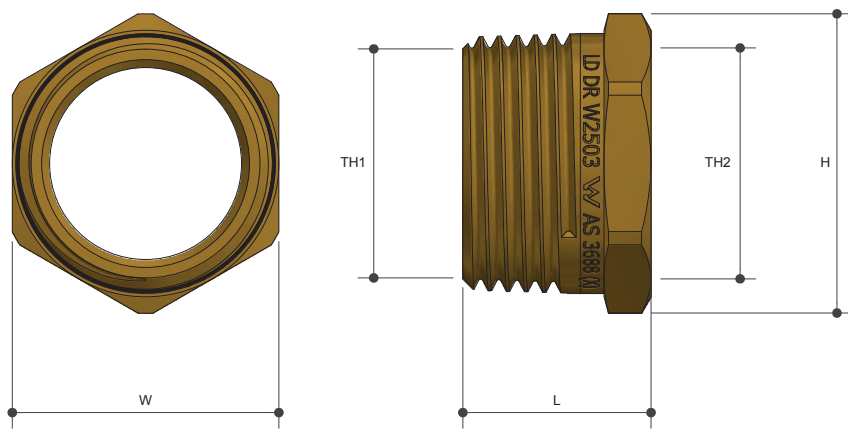


BRASS CAPILLARY

Tube Bush MI No. 4

Product Specifications



Specifications

Working temperature 1 °C - 99 °C

Maximum pressure 1600kPa

Sizing Chart (MM)

	L	H	W	TH1	TH2
AW581	19	24	22	R 1/2"	15OD
AW586	22	30	27	R 3/4"	20OD
AW586NB	22	30	27	R 3/4"	20OD
AW590	24	38	34	R 1"	25OD
AW590NB	24	38	34	R 1"	25OD
AW592	27	45	42	R 1 1/4"	32OD
AW592NB	27	45	42	R 1 1/4"	32OD
AW593	30	52	48	R 1 1/2"	40OD
AW594	33	66	61	R 2"	50OD
AW595	36	81	76	R 2 1/2"	65OD
AW596	40	96	89	R 3"	80OD
AW597	50	123	115	R 4"	100OD

Features



Watermark Approved

DR Brass

Tested and certified to AS 3688

Material Chart

Part	Material
Tube Bush	DR Brass

For more information on Metforge, contact:

Austworld 15 Activity Crescent, Molendinar, Queensland 4214 Australia

P. 1300 780 430

F. 1300 780 441

E. info@austworld.com.au

Austworld Pty Ltd. All rights reserved 2018. Austworld and Metforge are registered trade mark belonging to Austworld Pty Ltd.

