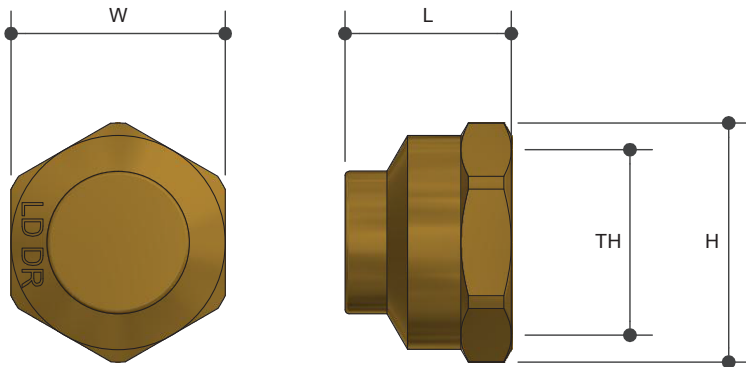


FLARED COMPRESSION

Cap Compression

Product Specifications



Specifications

Maximum working temperature 1 °C to 95 °C

Maximum pressure rating 1600kPa

Sizing Chart (MM)

	L	H	W	TH
AW613	20	28	26	G 1/2"
AW614*	20	28	26	G 1/2"
AW615	22	34	31	G 3/4"

* Chrome Plated

Features

Watermark approved

Brass and chrome finish

Tested and certified to AS 3688

Material Chart

Part	Material
Compression Nut	DR Brass

For more information on Metforge, contact:
Austworld 15 Activity Crescent, Molendinar, Queensland 4214 Australia
P. 1300 780 430 F. 1300 780 441 E. info@austworld.com.au

Austworld Pty Ltd. All rights reserved 2018. Austworld and Metforge are registered trade mark belonging to Austworld Pty Ltd.

