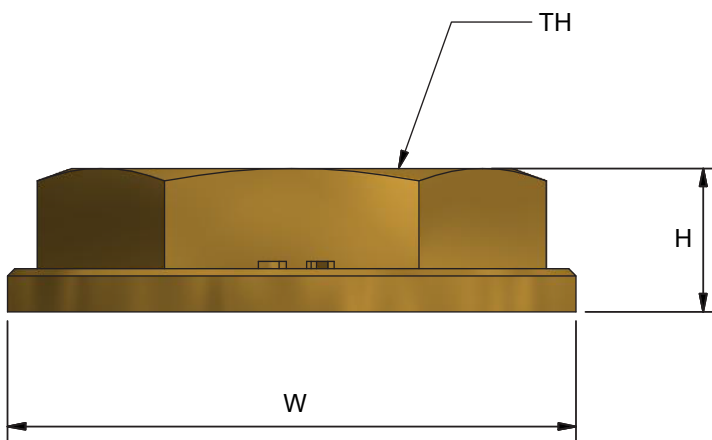


# SCREWED BRASSWARE

## Back Nut Flange

### Product Specifications



### Specifications

Maximum working temperature 0°C to 60°C

Maximum pressure rating 1600kPa

### Sizing Chart [MM]

	H	W	TH
BNF15	9	38	G1/2"
BNF15C*	9	38	G1/2"
BNF20	10	40	G3/4"
BNF20C*	10	40	G3/4"
BNF25	10.5	50	G1"
BNF32	11.5	60	G1 1/4"
BNF40	12	68	G1 1/2"
BNF50	13	80	G2"

\* Chrome plated finish

### Features



Watermark approved

Brass and chrome finish

Tested and certified to AS 3688

For more information on Metforge, contact:

Austworld 15 Activity Crescent, Molendinar, Queensland 4214 Australia

P. 1300 780 430

F. 1300 780 441

E. [info@austworld.com.au](mailto:info@austworld.com.au)

Austworld Pty Ltd. All rights reserved 2018. Austworld and Metforge are registered trade mark belonging to Austworld Pty Ltd.

