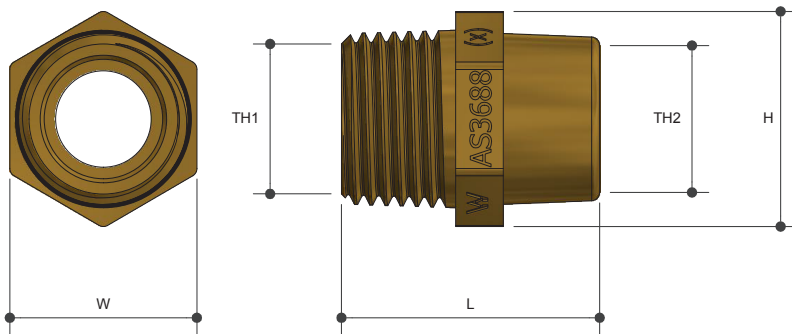


HOT WATER BOILING COMPONENTS

Brazing Connection

Product Specifications



Specifications

Maximum working temperature 1°C to 60°C

Maximum pressure rating 1600kPa

Sizing Chart (MM)

| | L | H | W | TH1 | TH2 |
|--------|----|----|----|--------|------|
| BR005B | 27 | 26 | 23 | R 1/2" | DN15 |

Features



Watermark approved

DR Brass

Tested and certified to AS 3688

Material Chart

| Part | Material |
|-----------|----------|
| Connector | DR Brass |

For more information on Metforge, contact:

Austworld 15 Activity Crescent, Molendinar, Queensland 4214 Australia

P. 1300 780 430

F. 1300 780 441

E. info@austworld.com.au

Austworld Pty Ltd. All rights reserved 2018. Austworld and Metforge are registered trade mark belonging to Austworld Pty Ltd.

