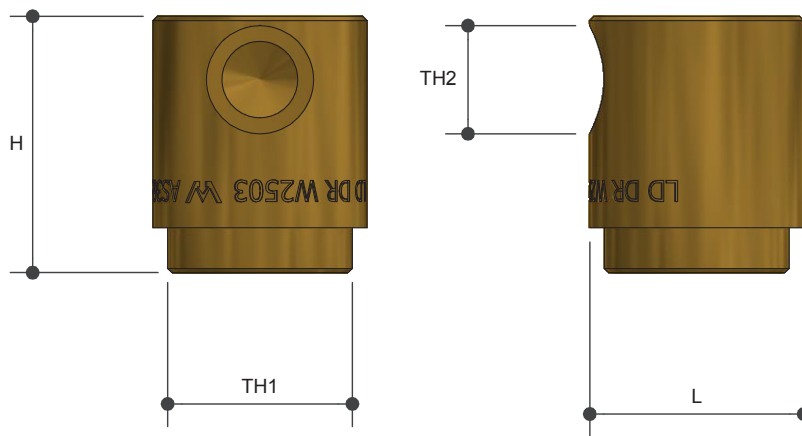


# HOT WATER BOILING COMPONENTS

## Elbow

### Product Specifications



### Specifications

Maximum working temperature 1 °C to 60 °C

Maximum pressure rating 1600kPa

### Sizing Chart (MM)

	L	H	TH1	TH2
BR028	26	30	22OD	12.77ID

### Features



Watermark approved

DR Brass

Tested and certified to AS 3688

### Material Chart

Part	Material
Elbow	DR Brass

For more information on Metforge, contact:  
Austworld 15 Activity Crescent, Molendinar, Queensland 4214 Australia  
P. 1300 780 430 F. 1300 780 441 E. info@austworld.com.au

Austworld Pty Ltd. All rights reserved 2018. Austworld and Metforge are registered trade mark belonging to Austworld Pty Ltd.

