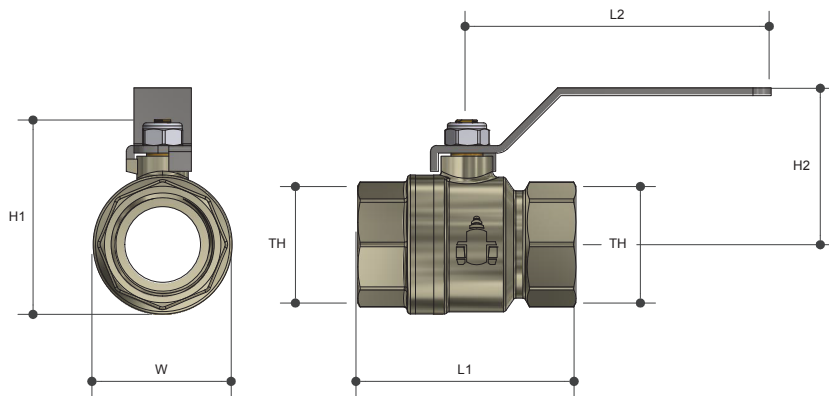


GENERAL PURPOSE BALL VALVE

Lever Handle FI X FI

Product Specifications



Specifications

Working temperature -20°C to 120°C

Maximum pressure rating 2500kPa

Features

Available in sizes 15mm [1/2"] to 100mm [4"]

Full Bore

100% pressure tested

Blow proof spindle

Stainless steel handle

Sizing Chart (MM)

	H1	H2	L1	L2	W	TH
BV11	46	88	47	44	20	Rp 1/4"
BV12	50	88	47	44	20	Rp 3/8"
BV01	51	90	51	45	25	Rp 1/2"
BV02	58	101	55	48	30	Rp 3/4"
BV03	72	122	64	62	38	Rp 1"
BV04	81	122	80	70	45	Rp 1 1/4"
BV05	90	140	92	77	53	Rp 1 1/2"
BV06	110	140	108	85	67	Rp 2"
BV07	137	232	143	110	82	Rp 2 1/2"
BV08	163	232	187	122	95	Rp 3"
BV09	187	226	193	150	160	Rp 2 1/2"

Material Chart

Part	Material
Body	Brass
Seal	PTFE
Ball	Brass
Bonnet	Brass
Spindle	Brass
O Ring	HNBR
Handle	Stainless Steel
Lock Nut	Stainless Steel

For more information on Logi Valve, contact:
 Austworld 15 Activity Crescent, Molendinar, Queensland 4214 Australia
 P. 1300 780 430 F. 1300 780 441 E. info@austworld.com.au

Austworld Pty Ltd. All rights reserved 2018. Austworld and Logi Valve are registered trade mark belonging to Austworld Pty Ltd.

