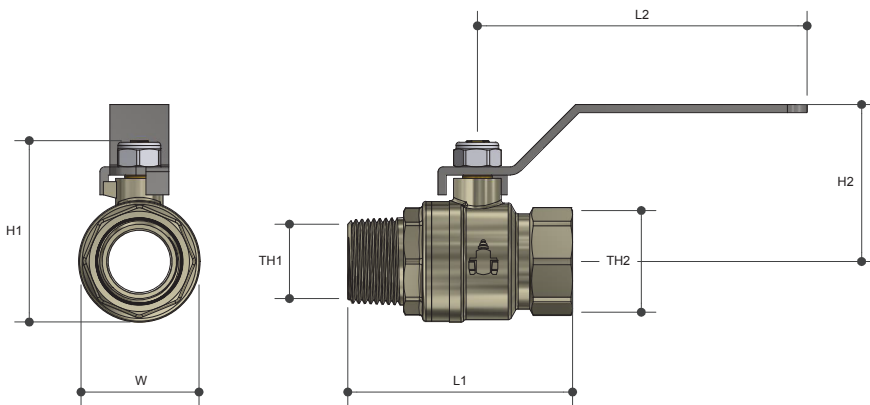


GENERAL PURPOSE BALL VALVE

Lever Handle FI X MI

Product Specifications



Specifications

Working temperature -20°C to 120°C

Maximum pressure rating 2500kPa

Features

Available in sizes 15mm (1/2") to 100mm (4")

Full Bore

100% pressure tested

Blow proof spindle

Stainless steel handle

Sizing Chart (MM)

| | SIZE | L1 | L2 | H1 | H2 | W | TH1 | TH2 |
|-------|------|-----|-----|-----|----|----|----------|-----------|
| BV15M | 15MM | 60 | 89 | 50 | 44 | 25 | R 1/2" | Rp 1/2" |
| BV16M | 20MM | 67 | 99 | 56 | 48 | 30 | R 3/4" | Rp 3/4" |
| BV17M | 25MM | 80 | 121 | 67 | 62 | 37 | R 1" | Rp 1" |
| BV18M | 32MM | 94 | 121 | 83 | 66 | 45 | R 1 1/4" | Rp 1 1/4" |
| BV19M | 40MM | 104 | 142 | 94 | 83 | 53 | R 1 1/2" | Rp 1 1/2" |
| BV20M | 50MM | 118 | 142 | 108 | 90 | 64 | R 2" | Rp 2" |

Material Chart

| Part | Material |
|-------------------|-----------------|
| Body | Brass |
| Seal | PTFE |
| Ball (15-40MM) | Brass |
| Ball (50MM) | Stainless Steel |
| Spindle (15-40MM) | Brass |
| Spindle (50MM) | Stainless Steel |
| Bonnet | Brass |
| O Ring | HNBR |
| Handle | Stainless Steel |
| Lock Nut | Stainless Steel |

For more information on Logi Valve, contact:
Austworld 15 Activity Crescent, Molendinar, Queensland 4214 Australia

P. 1300 780 430 F. 1300 780 441 E. info@austworld.com.au

Austworld Pty Ltd. All rights reserved 2018. Austworld and Logi Valve are registered trade mark belonging to Austworld Pty Ltd.

