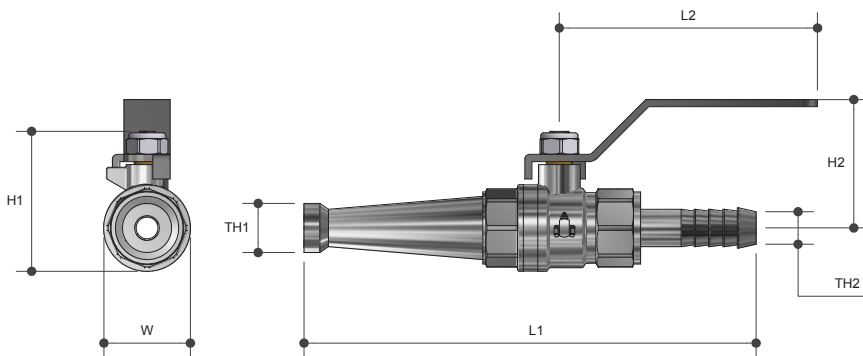


GENERAL PURPOSE BALL VALVE

Nozzle

Product Specifications



Specifications

Working temperature -20°C to 120°C

Maximum pressure rating 2500kPa

Sizing Chart (MM)

	L1	L2	H1	H2	W	TH1	TH2
BVN15	157	90	49	45	30	DN15	DN15
BVN20	157	90	49	45	30	DN20	DN20
BVN25	157	90	49	45	30	DN25	DN25

Features

Available in sizes 15mm (1/2") to 25mm (1")

Full Bore

100% pressure tested

Blow proof spindle

Stainless steel handle

Material Chart

Part	Material
Body	Brass
Seal	PTFE
Ball	Brass
Bonnet	Brass
Spindle	Brass
O Ring	HNBR
Handle	Stainless Steel
Lock Nut	Stainless Steel

For more information on Logi Valve, contact:
Austworld 15 Activity Crescent, Molendinar, Queensland 4214 Australia
P. 1300 780 430 F. 1300 780 441 E. info@austworld.com.au

Austworld Pty Ltd. All rights reserved 2018. Austworld and Logi Valve are registered trade mark belonging to Austworld Pty Ltd.

