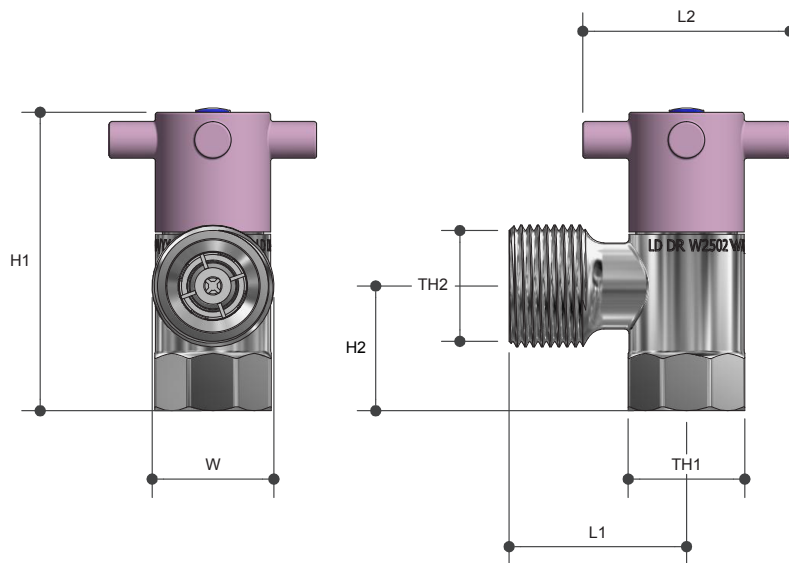


RECYCLED WATER PRODUCTS

1/2" FI Inlet X 3/4" MI Outlet

Product Specifications

Metforge®
b r a s s w a r e



Specifications

Working temperature 1 °C to 60 °C

Max. pressure rating 1600kPa

Sizing Chart (MM)

	L1	L2	H1	H2	W	TH1	TH2
BVWMRW	39	45	65	27	26	G 1/2"	G 3/4"

Material Chart

Part	Material
Body	DZR Brass
Jumper Valve	Nylon
Washer	Fibre
Bonnet	DR Brass
O Ring	EPDM
Spindle	DR Brass

Features



Watermark approved

Chrome plated finish

Integrated non return valve designed to assist in the elimination of water hammer

Ceramic disc

Australian patent number 2003213322

Tested and certified to AS/NZS 3718

For more information on Metforge, contact:

Austworld 15 Activity Crescent, Molendinar, Queensland 4214 Australia

P. 1300 780 430

F. 1300 780 441

E. info@austworld.com.au

Austworld Pty Ltd. All rights reserved 2018. Austworld and Metforge are registered trade mark belonging to Austworld Pty Ltd.

AW
AUSTWORLD