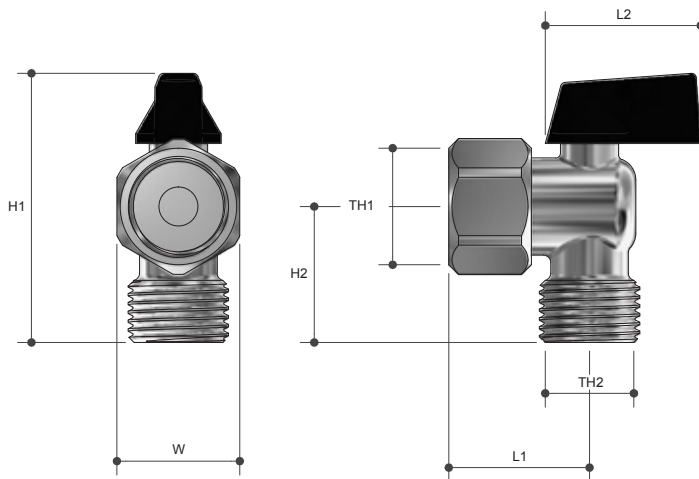


Isolation Stops IN WALL CISTERN STOP

CTV15

Product Specifications

MT MONOPOLY™
T A P W A R E



Specifications

Maximum working temperature 75 °C

Maximum pressure rating 1000kPa

Sizing Chart (MM)

	L1	L2	H1	H2	W	TH1	TH2
CTV15	29	32	55	28	25	G 1/2"	G 3/4"

Material Chart

Part	Material
Body	DR Brass
Cartridge	DR Brass
Buttons	PP
Check Valve	POM
Handle	ABS

Features

Watermark approved

Chrome plated finish

Integral non return valve

Fashionable metal handle

No water hammer

Simplicity of operation

Premium quarter turn ceramic disc

Fitquik Swivel Nut for ease of installation

Supplied with red & blue indicator buttons

Tested and certified to AS/NZS 3718



For more information on Monopoly Tapware, contact:
Austworld 15 Activity Crescent, Molendinar, Queensland 4214 Australia

P. 1300 780 430 F. 1300 780 441 E. info@austworld.com.au

Austworld Pty Ltd. All rights reserved 2018. Austworld and Monopoly Tapware are registered trade mark belonging to Austworld Pty Ltd.

AW
AUSTWORLD