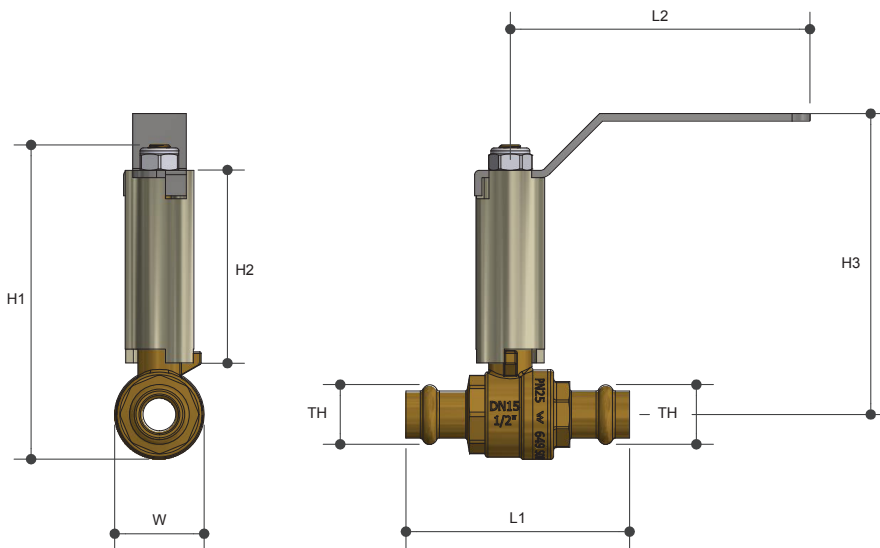


WATERMARKED BALL VALVE

Pressfit CU X CU Lever Handle Extended Spindle

Product Specifications



Specifications

Working temperature -20°C to 150°C

Maximum pressure rating 2500kPa

Sizing Chart (MM)

	L1	L2	H1	H2	H3	W	TH
EXTWP15	75	101	105	64.6	101	30	DN15
EXTWP20	87	101	112	64.6	104	37	DN20
EXTWP25	101	101	121	64.6	108	46	DN25
EXTWP32	114	140	136	66.2	127	58	DN32
EXTWP40	135	140	147	66.2	132	69	DN40
EXTWP50	163	140	163	66.2	141	84	DN50

Features

Watermark approved

Full bore

Available in sizes 15mm (1/2") to 50mm (2")

100% pressure tested

Blow proof spindle

For use with Viega, Rothenberger, Novopress, Kempress, Rems & V-Profile Tools only

Tested and certified to WMTS012

Material Chart

Part	Material
Body	DR Brass
Seal	PTFE
Ball (15-40MM)	DR Brass
Ball (50MM)	Stainless Steel
Spindle (15-40MM)	DR Brass
Spindle (50MM)	Stainless Steel
Bonnet	DR Brass
O Ring	FKM
Handle	Stainless Steel
Lock Nut	Stainless Steel

For more information on Logi Valve, contact:
Austworld 15 Activity Crescent, Molendinar, Queensland 4214 Australia

P. 1300 780 430 F. 1300 780 441 E. info@austworld.com.au

Austworld Pty Ltd. All rights reserved 2018. Austworld and Logi Valve are registered trade mark belonging to Austworld Pty Ltd.

