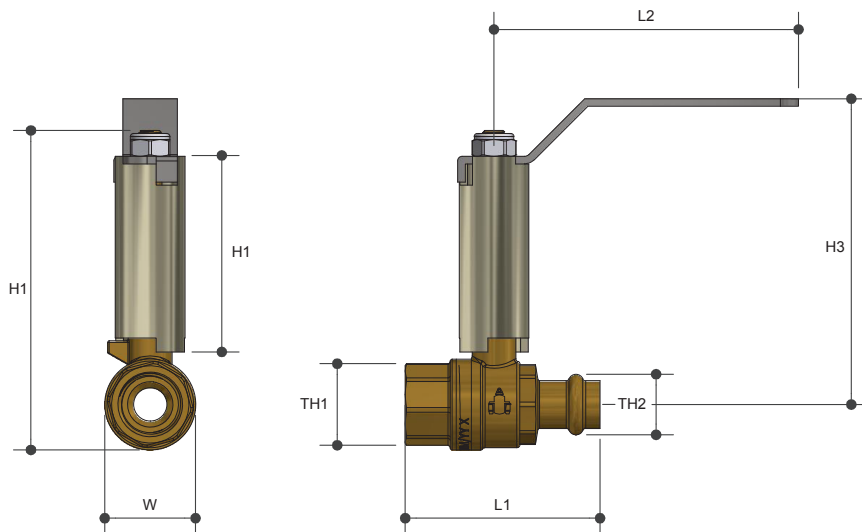


WATERMARKED BALL VALVE

Pressfit CU X FI Lever Handle Extended Spindle

Product Specifications



Specifications

Working temperature -20°C to 150°C

Maximum pressure rating 2500kPa

Sizing Chart (MM)

	L	H	H1	H2	H3	W	TH1	TH2
EXTWP15F	64	101	105	64.6	101	30	Rp 1/2"	DN15
EXTWP20F	73	101	112	64.6	104	37	Rp 3/4"	DN20
EXTWP25F	89	101	121	64.6	108	46	Rp 1"	DN25
EXTWP32F	98	140	136	66.2	127	58	Rp 1 1/4"	DN32
EXTWP40F	115	140	147	66.2	132	69	Rp 1 1/2"	DN40
EXTWP50F	138	140	163	66.2	141	84	Rp 2"	DN50

For more information on Logi Valve, contact:

Austworld 15 Activity Crescent, Molendinar, Queensland 4214 Australia

P. 1300 780 430

F. 1300 780 441

E. info@austworld.com.au

Austworld Pty Ltd. All rights reserved 2018. Austworld and Logi Valve are registered trade mark belonging to Austworld Pty Ltd.



Features

Watermark approved

Full bore

Available in sizes 15mm (1/2") to 50mm (2")

100% pressure tested

Blow proof spindle

For use with Viega, Rothenberger, Novopress, Kempress, Rems & V-Profile Tools only

Tested and certified to WMTS012

Material Chart

Part	Material
Body	DR Brass
Seal	PTFE
Ball (15-40MM)	DR Brass
Ball (50MM)	Stainless Steel
Spindle (15-40MM)	DR Brass
Spindle (50MM)	Stainless Steel
Bonnet	DR Brass
O Ring	FKM
Handle	Stainless Steel
Lock Nut	Stainless Steel

