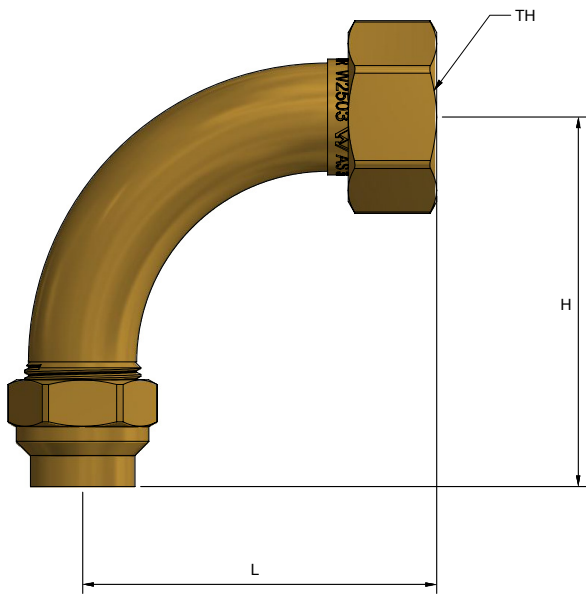


FERRULE BENDS

Flared

Product Specifications



Specifications

Working temperature -20°C to 120°C

Max. pressure rating 1600kPa

Features

Watermark approved

DR Brass

100% pressure tested

Tested and certified to AS 3688

Sizing Chart (MM)

	L	H	TH
FB20C	80	83	G 1"

For more information on Logi Civil, contact:
Austworld 15 Activity Crescent, Molendinar, Queensland 4214 Australia
P. 1300 780 430 F. 1300 780 441 E. info@austworld.com.au

Austworld Pty Ltd. All rights reserved 2018.
Austworld and Logi Civil are registered trade mark belonging to Austworld Pty Ltd.

