

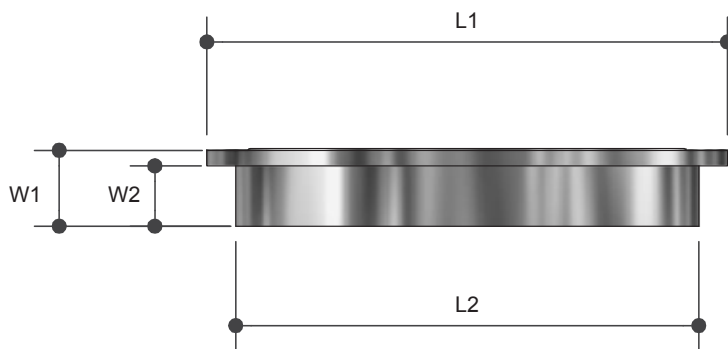
Floor Grates

ROUND TRAPSCREW SHORT TAIL

FLG30 | FLG20

Product Specifications

MT MONOPOLY™
T A P W A R E



Specifications

To suit DN100 and DN80 PVC pipe

Trap screw grate

Sizing Chart (MM)

	SIZE	L1	L2	W1	W2
FLG30	80	84	75	12	10
FLG20	100	110	103	10	7

Features



Watermark approved

Chrome plated finish

Solid Brass

Tested and certified to WMTS 040

For more information on Monopoly Tapware, contact:
Austworld 15 Activity Crescent, Molendinar, Queensland 4214 Australia

P. 1300 780 430 F. 1300 780 441 E. info@austworld.com.au

Austworld Pty Ltd. All rights reserved 2018. Austworld and Monopoly Tapware are registered trade mark belonging to Austworld Pty Ltd.

AW
AUSTWORLD