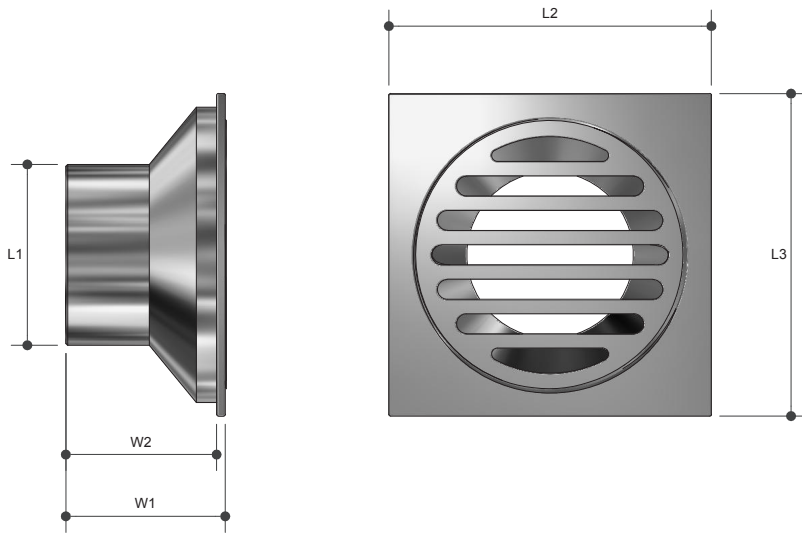


80 x 50 Square

FLG33 | FLG33MB

Product Specifications

MT MONOPOLY™
T A P W A R E



Specifications

To suit DN80 PVC pipe

Sizing Chart [MM]

	W1	W2	L1	L2	L3
FLG33	44	42	50	89	89
FLG33MB	44	42	50	89	89

Features



Watermark approved

Available in chrome
and matte black finish

Tested and certified to WMTS 040

For more information on Monopoly Tapware, contact:
Austworld 15 Activity Crescent, Molendinar, Queensland 4214 Australia
P. 1300 780 430 F. 1300 780 441 E. info@austworld.com.au

Austworld Pty Ltd. All rights reserved 2018. Austworld and Monopoly Tapware are registered trade mark belonging to Austworld Pty Ltd.

AW
AUSTWORLD