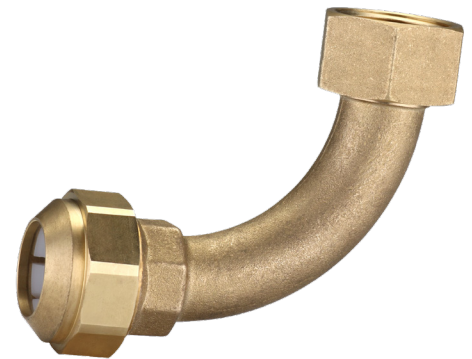
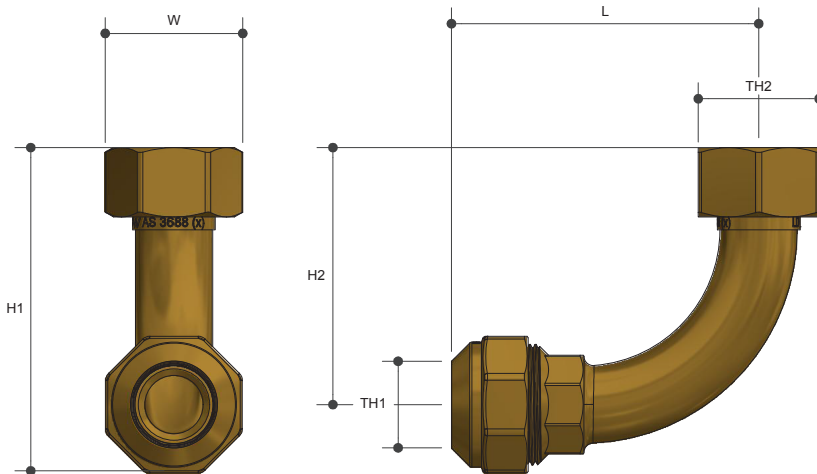


# FERRULE BENDS

DN

Product Specifications



## Specifications

Working temperature -20°C to 60°C

Max. pressure rating 1600kPa

## Sizing Chart (MM)

	L	H1	H2	W	TH	TH
FP20	97	102	81	43	DN25	G 1"

## Features

Watermark approved

DR Brass

100% pressure tested

No disassembly required, pipe can be inserted without disassembling the fitting

Triple lip seal

No fidly thimbles or grab rings

Spare parts available

Tested and certified to AS 3688

## Material Chart

Part	Material
Seal	EPDM
Nut	DR Brass
Body	DR Brass
O Ring	PDM

For more information on Logi Civil, contact:  
Austworld 15 Activity Crescent, Molendinar, Queensland 4214 Australia  
P. 1300 780 430 F. 1300 780 441 E. info@austworld.com.au

Austworld Pty Ltd. All rights reserved 2018.  
Austworld and Logi Civil are registered trade mark belonging to Austworld Pty Ltd.

