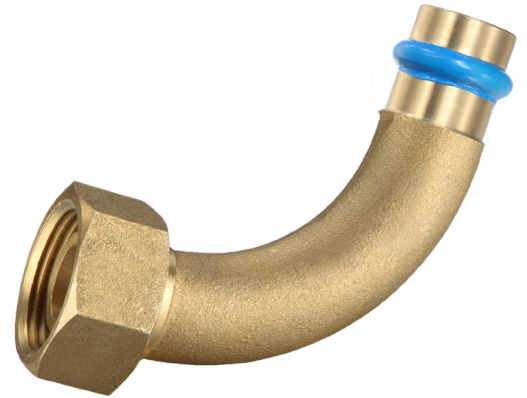
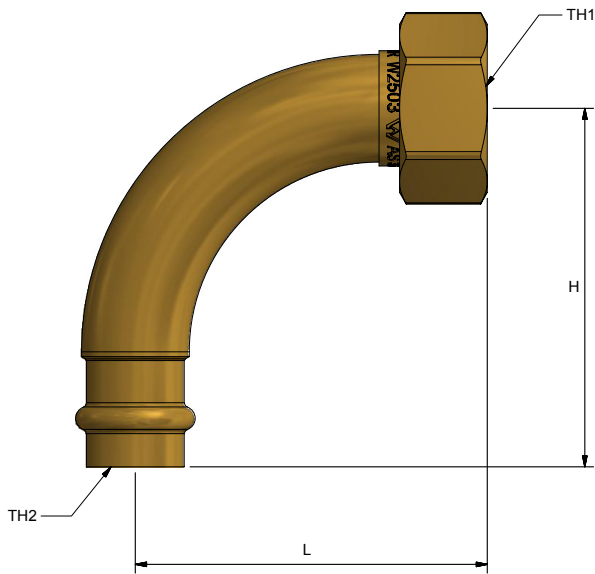


# BEND AND NUT

Press Fit

Product Specifications



## Specifications

Working temperature -20°C to 120°C

Max. pressure rating 1600kPa

## Features

Watermark approved

DR Brass

100% pressure tested

Tested and certified to AS 3688

## Sizing Chart [(MM)]

FPF20	L	H	TH1	TH2
FPF20	80	81	G 1"	20DN

For more information on Logi Civil, contact:  
Austworld 15 Activity Crescent, Molendinar, Queensland 4214 Australia  
P. 1300 780 430 F. 1300 780 441 E. info@austworld.com.au

Austworld Pty Ltd. All rights reserved 2018.  
Austworld and Logi Civil are registered trade mark belonging to Austworld Pty Ltd.

