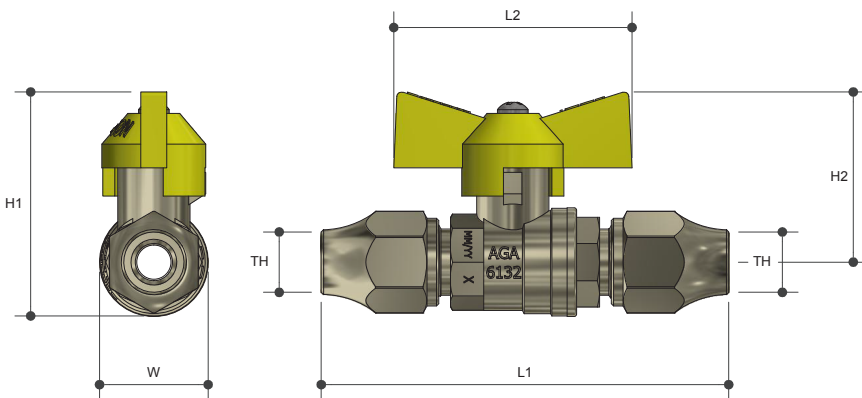


# GAS APPROVED BALL VALVE

Butterfly Handle FL X FL

Product Specifications



## Specifications

Working temperature -20°C to 120°C

Maximum pressure rating 2100kPa

## Sizing Chart (MM)

	L1	L2	H1	H2	W	TH
G10 [SAE]	86	51	47	36	23	10C

## Features

AGA approved

100% pressure tested

Aluminium handle

Tested and certified to AS 4617

## Material Chart

Part	Material
Body	DR Brass
Seal	PTFE
Ball	DR Brass
Bonnet	DR Brass
Spindle	DR Brass
Gland	PTFE
Handle	Aluminium
Nut	DR Brass
Lock Nut	Stainless Steel
O-Ring	HNBR

For more information on Logi Valve, contact:  
Austworld 15 Activity Crescent, Molendinar, Queensland 4214 Australia  
P. 1300 780 430 F. 1300 780 441 E. info@austworld.com.au

Austworld Pty Ltd. All rights reserved 2018. Austworld and Logi Valve are registered trade mark belonging to Austworld Pty Ltd.

