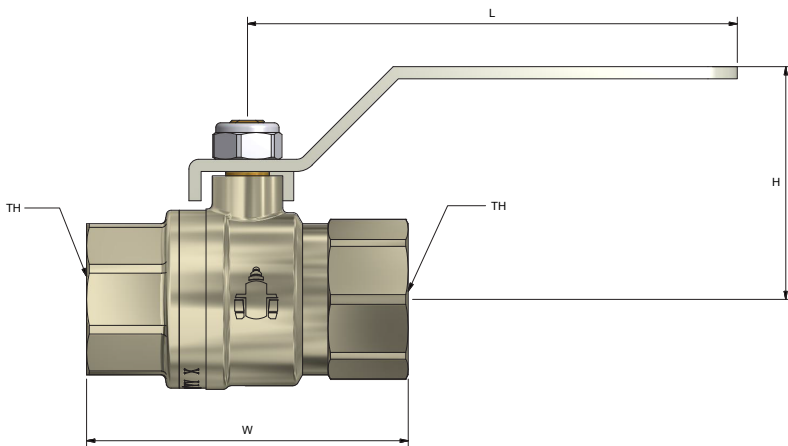


# GAS APPROVED BALL VALVE

Lever Handle FI X FI

## Product Specifications



## Specifications

Working temperature -20°C to 120°C

Maximum pressure rating 2100kPa

## Sizing Chart [MM]

	L	H	W	TH
GBV04	44	36	40	Rp 1/8"
GBV06	90	44	46	Rp 1/4"
GBV10	90	44	46	Rp 3/8"
GBV15	101	44	58	Rp 1/2"
GBV20	101	48	81	Rp 3/4"
GBV25	101	52	81	Rp 1"
GBV32	140	71	92	Rp 1 1/4"
GBV40	140	77	102	Rp 1 1/2"
GBV50	140	85	121	Rp 2"
GBV65	232	110	150	Rp 2 1/2"
GBV80	232	122	177	Rp 3"
GBV100	232	136	212	Rp 4"

## Features

AGA approved

Full bore

100% pressure tested

Available in sizes 4mm [1/8"] to 100mm [4"]

Blow proof spindle

Stainless Steel handle

Tested and certified to AS 4617

## Material Chart

Part	Material
Body	DR Brass
Seal	PTFE
Ball	DR Brass
Bonnet	DR Brass
Spindle	DR Brass
O Ring	HNBR
Handle	Stainless Steel
Lock Nut	Stainless Steel

For more information on Logi Valve, contact:

Austworld 15 Activity Crescent, Molendinar, Queensland 4214 Australia

P. 1300 780 430

F. 1300 780 441

E. [info@austworld.com.au](mailto:info@austworld.com.au)

Austworld Pty Ltd. All rights reserved 2018. Austworld and Logi Valve are registered trade mark belonging to Austworld Pty Ltd.

