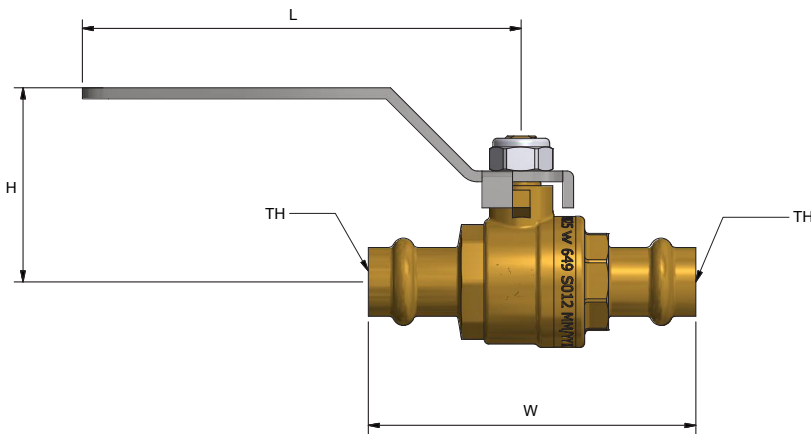


GAS APPROVED BALL VALVE

Pressfit CU X CU Lever Handle

Product Specifications



Specifications

Working temperature -20°C to 120°C

Maximum pressure rating 2100kPa

Sizing Chart [MM]

	L	H	W	TH
GP15	101	44	75	DN15
GP20	101	48	87	DN20
GP25	101	52	101	DN25
GP32	140	71	114	DN32
GP40	140	77	135	DN40
GP50	140	85	163	DN50

Features

AGA approved

Full bore

100% pressure tested

Blow proof spindle

Available in sizes 15mm [1/2"] to 50mm [2"]

Stainless Steel handle

For use with Viega, Rothenberger, Novopress, Kempress, Rems & V-Profile Tools only

Tested and certified to AS 4617

Material Chart

Part	Material
Seal	PTFE
Nut	Stainless Steel
Spindle	DR Brass
Handle	Stainless Steel
Ball	DR Brass
Cap	DR Brass
Body	DR Brass
O Ring	VITON

For more information on Logi Valve, contact:
Austworld 15 Activity Crescent, Molendinar, Queensland 4214 Australia
P. 1300 780 430 F. 1300 780 441 E. info@austworld.com.au

Austworld Pty Ltd. All rights reserved 2018. Austworld and Logi Valve are registered trade mark belonging to Austworld Pty Ltd.

