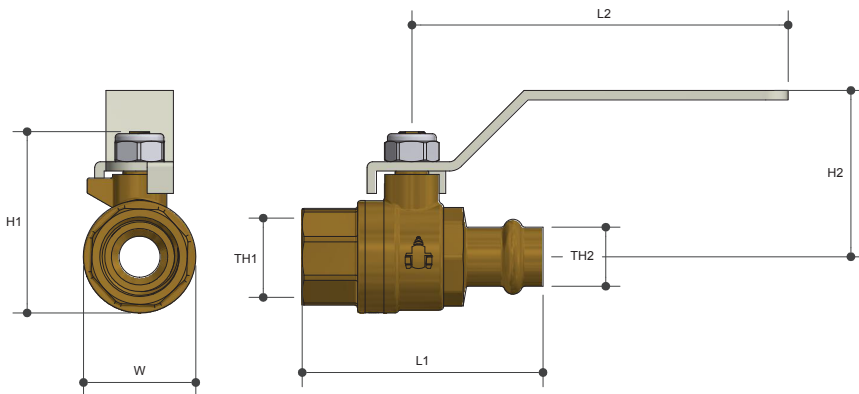


GAS APPROVED BALL VALVE

Pressfit CU X FI Lever Handle

Product Specifications



Specifications

Working temperature -20°C to 120°C

Maximum pressure rating 2100kPa

Sizing Chart (MM)

	L1	L2	H1	H2	W	TH1	TH2
GP15F	64	101	48	44	30	Rp 1/2"	DN15
GP20F	73	101	55	48	37	Rp 3/4"	DN20
GP25F	89	101	64	52	46	Rp 1"	DN20
GP32F	98	140	80	71	58	Rp 1 1/4"	DN32
GP40F	115	140	92	77	69	Rp 1 1/2"	DN40
GP50F	138	140	108	85	84	Rp 2"	DN50

Features

AGA approved

Full bore

100% pressure tested

Blow proof spindle

Available in sizes 15mm (1/2") to 50mm (2")

Stainless Steel handle

For use with Viega, Rothenberger, Novopress, Kempress, Rems & V-Profile Tools only

Tested and certified to AS 4617

Material Chart

Part	Material
Body	Brass
Seal	PTFE
Ball (15-40MM)	Brass
Ball (50MM)	Stainless Steel
Spindle (15-40MM)	Brass
Spindle (50MM)	Stainless Steel
Bonnet	Brass
O Ring	HNBR
Handle	Stainless Steel
Lock Nut	Stainless Steel

For more information on Logi Valve, contact:
Austworld 15 Activity Crescent, Molendinar, Queensland 4214 Australia

P. 1300 780 430 F. 1300 780 441 E. info@austworld.com.au

Austworld Pty Ltd. All rights reserved 2018. Austworld and Logi Valve are registered trade mark belonging to Austworld Pty Ltd.

