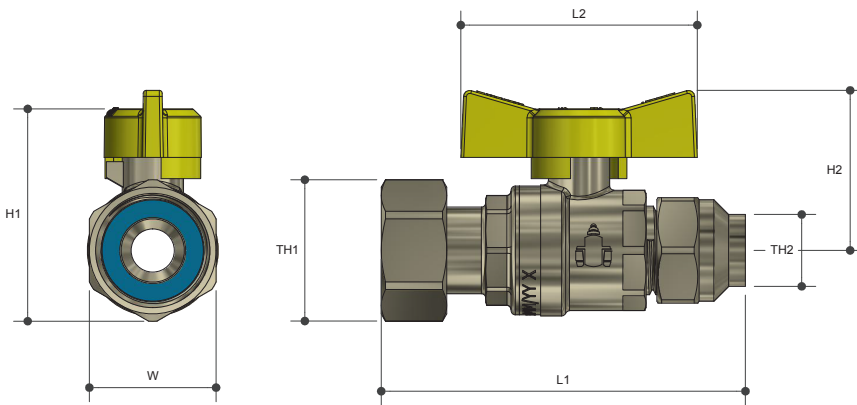


GAS APPROVED BALL VALVE

Butterfly Handle FI X FL

Product Specifications



Specifications

Working temperature -20°C to 120°C

Maximum pressure rating 2100kPa

Sizing Chart [MM]

	L1	L2	H1	H2	W	TH1	TH2
H20G2015	86	56	49	38	30	6 3/4"	15C

Features



AGA approved

Full bore

100% pressure tested

Blow proof spindle

Aluminium handle

Swivel nut connection

Tested and certified to AS 4617

Material Chart

Part	Material
Body	DR Brass
Ball	DR Brass
Handle	Aluminium
O Ring	HNBR
Nut	DR Brass
Spindle	DR Brass

For more information on Logi Valve, contact:

Austworld 15 Activity Crescent, Molendinar, Queensland 4214 Australia

P. 1300 780 430

F. 1300 780 441

E. info@austworld.com.au

Austworld Pty Ltd. All rights reserved 2018. Austworld and Logi Valve are registered trade mark belonging to Austworld Pty Ltd.

