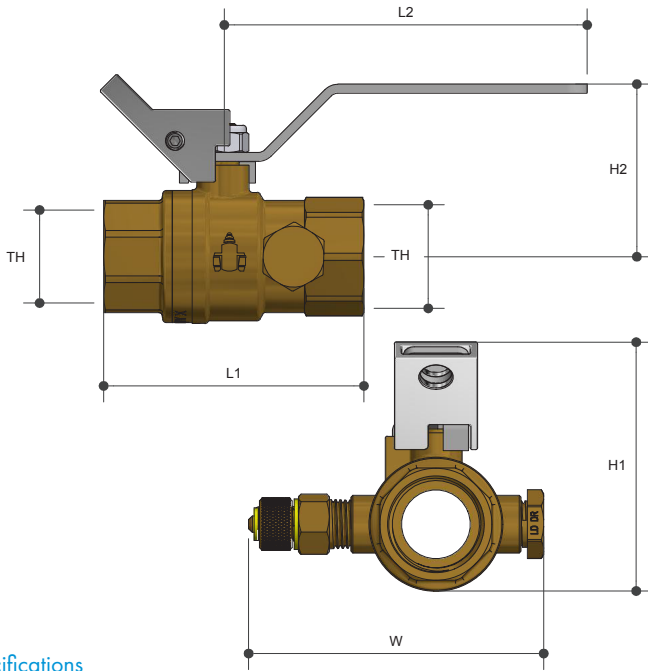


# GAS APPROVED BALL VALVE

Lever Handle FI X FI with Test Point

## Product Specifications



### Specifications

Working temperature -20°C to 120°C

Maximum pressure rating 2100kPa

### Sizing Chart (MM)

	L1	L2	H1	H2	W	TH
HGBV15F	65	100	62	44	75	Rp 1/2"
HGBV20F	87	100	77	51	82	Rp 3/4"
HGBV25F	72	100	69	48	90	Rp 1"
HGBV32F	98	140	100	71	99	Rp 1 1/4"
HGBV40F	108	140	111	77	107	Rp 1 1/2"
HGBV50F	127	140	127	85	120	Rp 2"

For more information on Logi Valve, contact:  
Austworld 15 Activity Crescent, Molendinar, Queensland 4214 Australia

P. 1300 780 430 F. 1300 780 441 E. info@austworld.com.au

Austworld Pty Ltd. All rights reserved 2018. Austworld and Logi Valve are registered trade mark belonging to Austworld Pty Ltd.



### Features

AGA approved

Full bore

100% pressure tested

Available in sizes 15mm (1/2") to 50mm (2")

Lockable ON and OFF

Blow proof spindle

Stainless Steel handle

Tested and certified to AS 4617

### Material Chart

Part	Material
Body	DR Brass
Seal Seat	PTFE
Ball (15-40MM)	DR Brass
Ball (50MM)	Stainless Steel
Spindle (15-40MM)	DR Brass
Spindle (50MM)	Stainless Steel
O Rings	HNBR
Bonnet	DR Brass
Handle	Stainless Steel
Lock Nut	Stainless Steel



AUSTWORLD