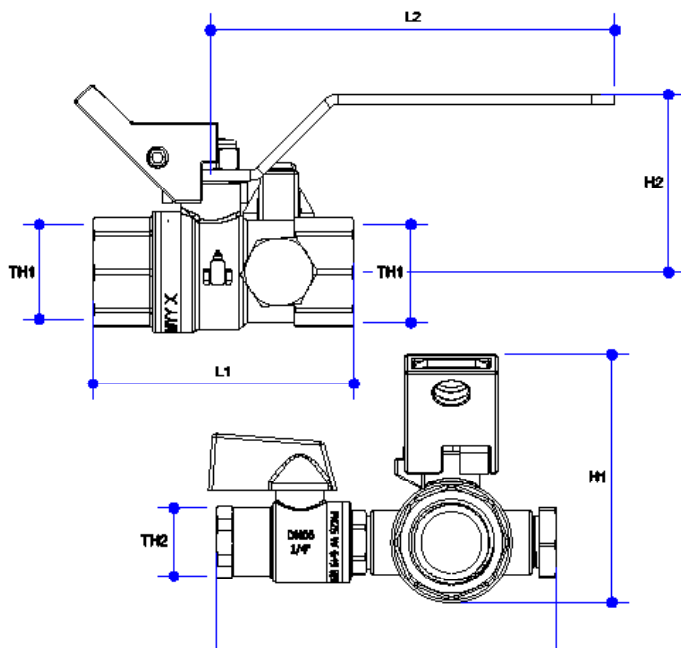


WATERMARKED BALL VALVE

HVAC with Test Point and Mini Ball Valve

Product Specifications



Specifications

Working temperature -20°C to 120°C

Maximum pressure rating 2500kPa

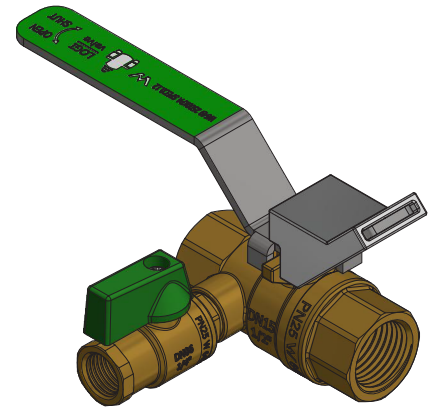
Sizing Chart [MM]

	L1	L2	H1	H2	W	TH1	TH2
HVW15FD	65	101	62	44	85	Rp 1/2"	Rp 1/4"
HVW20FD	72	101	69	66	94	Rp 3/4"	Rp 1/4"
HVW25FD	87	101	77	51	98	Rp 1"	Rp 1/4"
HVW32FD	98	140	96	71	107	Rp1 1/4"	Rp 1/4"
HVW40FD	108	140	111	77	115	Rp1 1/2"	Rp 1/4"
HVW50FD	127	140	127	85	128	Rp 2"	Rp 1/4"

For more information on Logi Valve, contact:
Austworld 15 Activity Crescent, Molendinar, Queensland 4214 Australia

P. 1300 780 430 F. 1300 780 441 E. info@austworld.com.au

Austworld Pty Ltd. All rights reserved 2018. Austworld and Logi Valve are registered trade mark belonging to Austworld Pty Ltd.



Features

Watermark approved

Full bore

100% pressure tested

Lockable ON and OFF

Available in sizes 15mm [1/2"] to 50mm [2"]

Blow proof spindle

Stainless Steel handle

Tested and certified to WMTS012

Material Chart

Part	Material
Body	DR Brass
Seal	PTFE
Ball	DR Brass
Bonnet	DR Brass
Spindle	DR Brass
O Ring	FKM
Handle	Aluminium
Gland Nut	Stainless Steel
Mini Ball Valve	DR Brass

