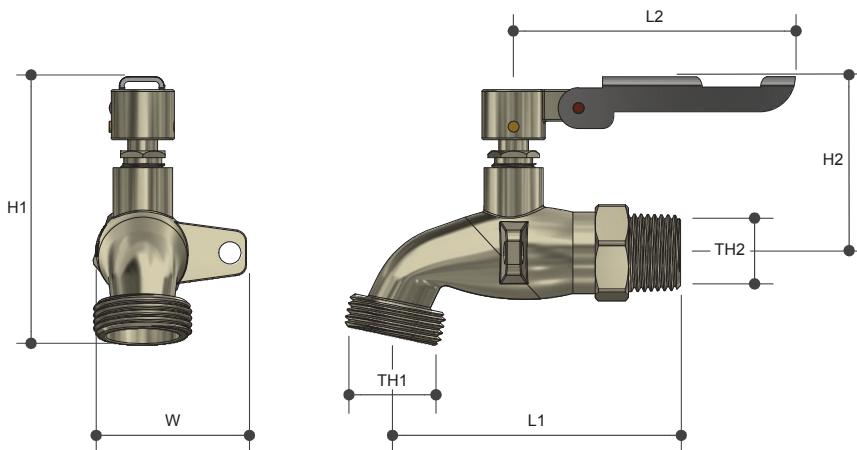


# BIB COCK

Watermarked Side Locking

Product Specifications



## Specifications

Maximum working temperature -20°C to 60°C

Maximum pressure rating 1600kPa

## Sizing Chart (MM)

	L1	L2	H1	H2	W	TH1	TH2
LBC2520	75	76	80	51	50	G 3/4"	R 1"

## Features

100% pressure tested

Blow proof spindle

Stainless steel handle and nut

## Material Chart

Part	Material
Washer	EPDM
Cap	DR Brass
Ball	DR Brass
Bonnet	DR Brass
Barb	Stainless Steel
O Ring	EPDM
Handle	Stainless Steel
Spindle	DR Brass

For more information on Logi Valve, contact:  
Austworld 15 Activity Crescent, Molendinar, Queensland 4214 Australia  
P. 1300 780 430 F. 1300 780 441 E. [info@austworld.com.au](mailto:info@austworld.com.au)

Austworld Pty Ltd. All rights reserved 2018. Austworld and Logi Valve are registered trade mark belonging to Austworld Pty Ltd.

