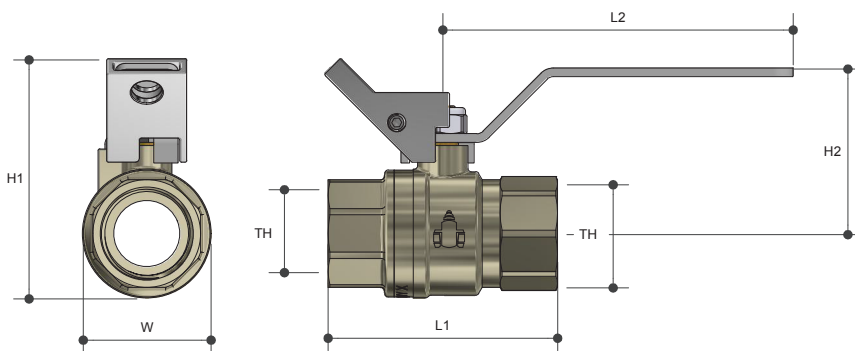


GAS APPROVED BALL VALVE

Lever Handle FI X FI Lockable

Product Specifications



Specifications

Working temperature -20°C to 120°C

Maximum pressure rating 2100kPa

Sizing Chart (MM)

	L1	L2	H1	H2	W	TH
LG15F	58	101	62	44	30	Rp 1/2"
LG20F	66	101	69	48	37	Rp 3/4"
LG25F	81	101	77	51	46	Rp 1"
LG32F	91	140	96	71	58	Rp 1 1/4"
LG40F	102	140	108	77	69	Rp 1 1/2"
LG50F	121	140	124	85	84	Rp 2"

Features

AGA approved

Full bore

100% pressure tested

Lockable on and off

Available in sizes 15mm (1/2") to 50mm (2")

Anti removable handle

Blow proof spindle

Stainless Steel handle

Tested and certified to AS 4617

Material Chart

Part	Material
Body	DR Brass
Seal	PTFE
Ball (15-40MM)	DR Brass
Ball (50MM)	Stainless Steel
Spindle (15-40MM)	DR Brass
Spindle (50MM)	Stainless Steel
Bonnet	DR Brass
O Ring	HNBR
Handle	Stainless Steel
Lock Nut	Stainless Steel

For more information on Logi Valve, contact:

Austworld 15 Activity Crescent, Molendinar, Queensland 4214 Australia

P. 1300 780 430

F. 1300 780 441

E. info@austworld.com.au

Austworld Pty Ltd. All rights reserved 2018. Austworld and Logi Valve are registered trade mark belonging to Austworld Pty Ltd.

