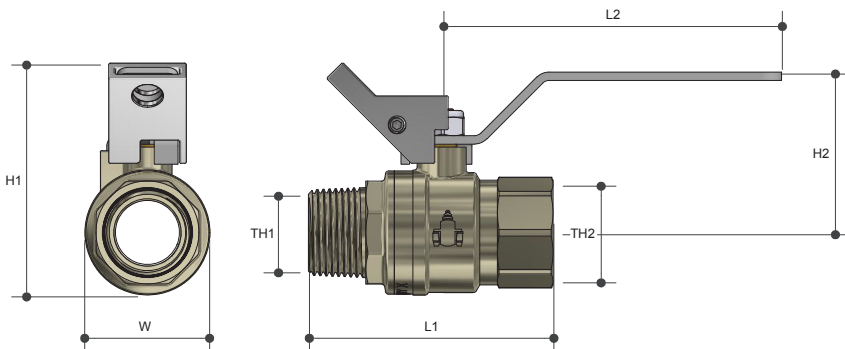


GAS APPROVED BALL VALVE

Lever Handle MI X FI Lockable

Product Specifications



Specifications

Working temperature -20°C to 120°C

Maximum pressure rating 2100kPa

Sizing Chart (MM)

	L1	L2	H1	H2	W	TH1	TH2
LG15M	64	101	62	44	30	R 1/2"	Rp 1/2"
LG20M	73	101	69	48	37	R 3/4"	Rp 3/4"
LG25M	87	101	77	51	46	R 1"	Rp 1"
LG32M	100	140	96	71	58	R 1 1/4"	Rp 1 1/4"
LG40M	113	140	108	77	69	R 1 1/2"	Rp 1 1/2"
LG50M	130	140	124	85	84	R 2"	Rp 2"

Features

AGA approved (AS4617-Type 1)

Full bore

100% pressure tested

Lockable ON & OFF

Available in sizes 15mm (1/2") to 50mm (2")

Anti removable handle

Blow proof spindle

Stainless Steel handle

Tested and certified to AS 4617

Material Chart

Part	Material
Body	DR Brass
Seal	PTFE
Ball (15-40MM)	DR Brass
Ball (50MM)	Stainless Steel
Spindle (15-40MM)	DR Brass
Spindle (50MM)	Stainless Steel
Bonnet	DR Brass
O Ring	HNBR
Handle	Stainless Steel
Lock Nut	Stainless Steel

For more information on Logi Valve, contact:
Austworld 15 Activity Crescent, Molendinar, Queensland 4214 Australia

P. 1300 780 430 F. 1300 780 441 E. info@austworld.com.au

Austworld Pty Ltd. All rights reserved 2018. Austworld and Logi Valve are registered trade mark belonging to Austworld Pty Ltd.

