

MT MONOPOLY™
T A P W A R E

CISTERN STOP MINI CERAMIC DISC LEVER HANDLE

LH15

Specifications

- Working temperature 0°C to 80°C
- Maximum pressure rating 1000kPa
- Available in Chrome, Rose Gold and Matt Black finish

Features

- Tested and manufactured to AS3718
- Watermark approved
- Intergrated non return valve designed to assist in the elemination of water hammer
- Fashionable metal handle
- Simplicity of operation
- Revolutionary ceramic disc design
- Australian patent number 2003213322
- Supplied with red & blue indicator buttons
- Fully approved and patented product
- No water hammer



Austworld
PO Box 311
Ashmore City
QLD 4214

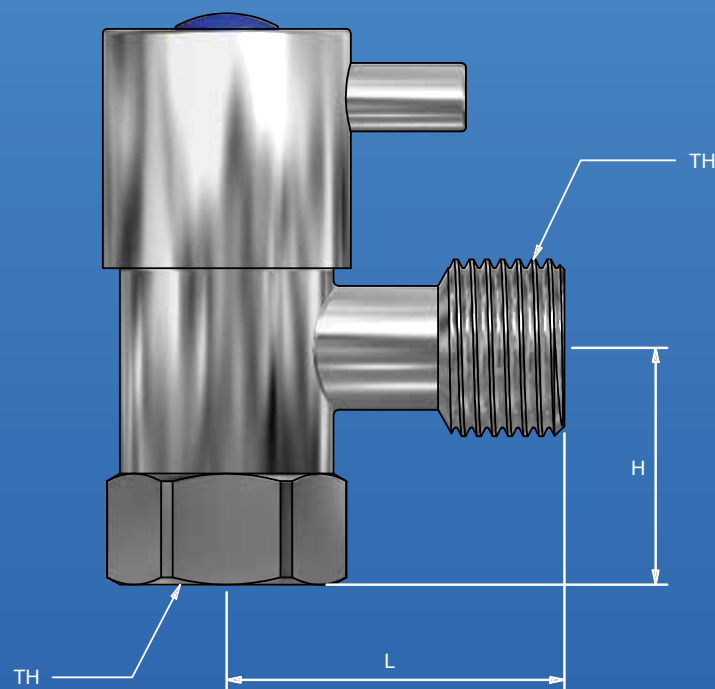
P: 1300 780 430
F: 1300 780 441
E: info@austworld.com.au
W: www.austworld.com.au



DISCLAIMER: AS PART OF AUSTWORLD COMMITMENT TO QUALITY PRODUCTS, AUSTWORLD RESERVES THE RIGHT TO ALTER THE DESIGN OR SPECIFICATION OF ITS PRODUCT WITHOUT NOTICE. THE PRODUCT IMAGES SHOWN ARE FOR ILLUSTRATION PURPOSES ONLY AND MAY NOT BE AN EXACT REPRESENTATION OF THE PRODUCT

Ver 1.0

CISTERN STOP MINI CERAMIC DISC LEVER HANDLE



Sizing Chart MM

	L	H	TH
LH15	40	29	G 1/2"
LH15MB	40	29	G 1/2"
LH15RG	40	29	G 1/2"

Material Chart

Part	Material
Body	DR Brass
Cartridge	DR Brass
Sure Clip	Stainless Steel
Check Valve	POM
Handle	Zinc
Handle Screw	Stainless Steel
Button	POM