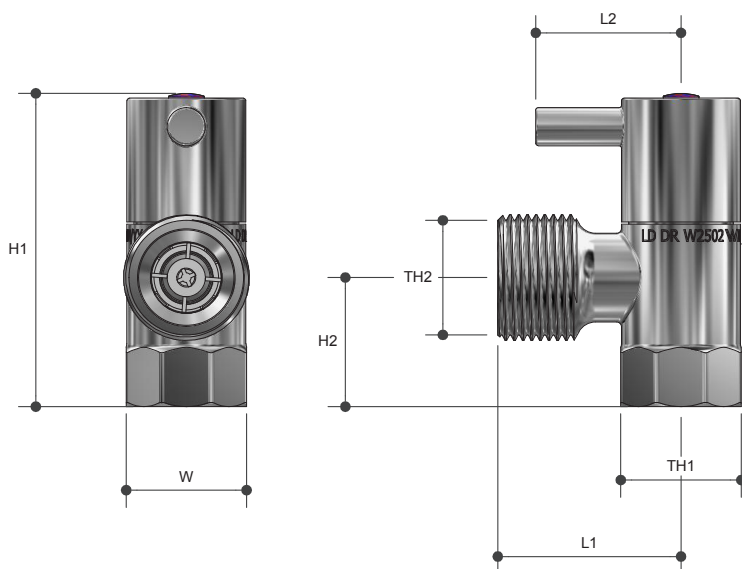


Washing Machine Stop Mini lever Handle Pair

LH2015

Product Specifications

MT MONOPOLY™
T A P W A R E



Specifications

Maximum working temperature 80°C

Maximum pressure rating 1000kPa

Sizing Chart [MM]

	L1	L2	H1	H2	W	TH1	TH2
LH2015	39	31	66	27	25	G 1/2"	G 3/4"
LH2015MB	39	31	66	27	25	G 1/2"	G 3/4"

Material Chart

Part	Material
Body	DR Brass
Cartridge	DR Brass
Sure Clip	Stainless Steel
Check Valve	POM
Handle	Zinc
Handle Screw	Stainless Steel
Buttons	POM

Features

Watermark approved

Chrome plated finish

Integrated non return valve designed to assist in the elimination of water hammer

Fashionable zinc handle

Simplicity of operation

Premium quarter turn ceramic disc

Australian patent number 2003213322

Supplied with red & blue indicator buttons

Available in Chrome and Matte black finish

Fully approved and patented product

Tested and certified to AS/NZS 3718



For more information on Monopoly Tapware, contact:
Austworld 15 Activity Crescent, Molendinar, Queensland 4214 Australia

P. 1300 780 430 F. 1300 780 441 E. info@austworld.com.au

Austworld Pty Ltd. All rights reserved 2018. Austworld and Monopoly Tapware are registered trade mark belonging to Austworld Pty Ltd.

AW
AUSTWORLD