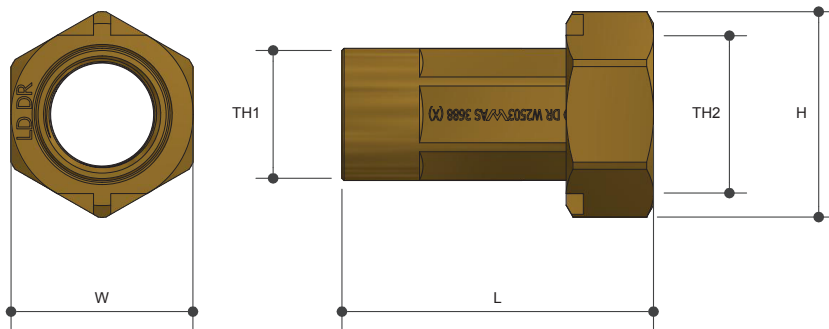


METER COUPLING

NSW Thread

Product Specifications



Specifications

Working temperature 1°C to 60°C

Max. pressure rating 2500kPa

Sizing Chart (MM)

	L	H	W	TH1	TH2
MC10	72	48	42	R 3/4"	DN25*
MC11	82	56	51	R 1"	DN32*

*NSW Meter Thread AS1722.2



Features

Watermark approved

DR Brass

100% pressure tested

Comes with PE seal

Material Chart

Part	Material
Adaptor	DR Brass
Nut	DR Brass
Seal	HDPE

For more information on Logi Civil, contact:
Austworld 15 Activity Crescent, Molendinar, Queensland 4214 Australia
P. 1300 780 430 F. 1300 780 441 E. info@austworld.com.au

Austworld Pty Ltd. All rights reserved 2018.
Austworld and Logi Civil are registered trade mark belonging to Austworld Pty Ltd.

