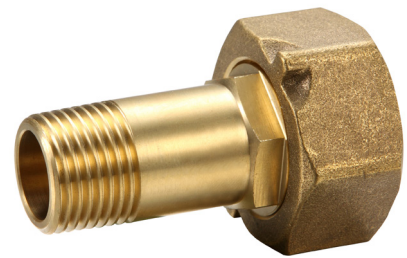
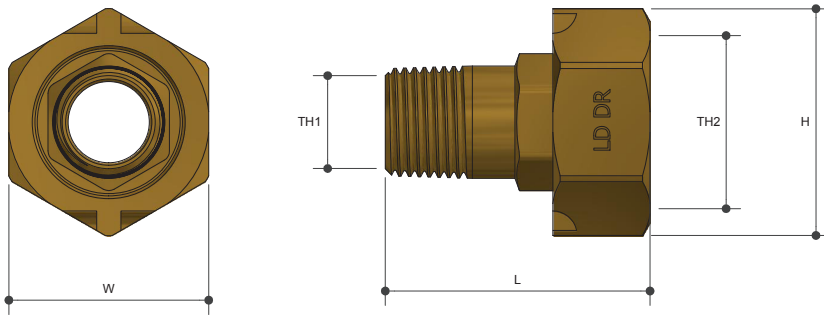


COUPLINGS

Standard

Product Specifications



Specifications

Working temperature 1°C - 95°C

Maximum pressure rating 1600kPa

Sizing Chart (MM)

	L	H	W	TH1	TH2
MC7	49	42	37	R 1/2"	G 1"
MC9	39	42	37	R 1/2"	G 1"

Features



Watermark Approved

DR Brass

Tested and certified to AS 3688

Includes Rubber and Fibre Seal

Material Chart

Part	Material
Adaptor	DR Brass
Nut	DR Brass
Coupling Washer	EPDM / Fibre

For more information on Metforge, contact:

Austworld 15 Activity Crescent, Molendinar, Queensland 4214 Australia

P. 1300 780 430

F. 1300 780 441

E. info@austworld.com.au

Austworld Pty Ltd. All rights reserved 2018. Austworld and Metforge are registered trade mark belonging to Austworld Pty Ltd.

