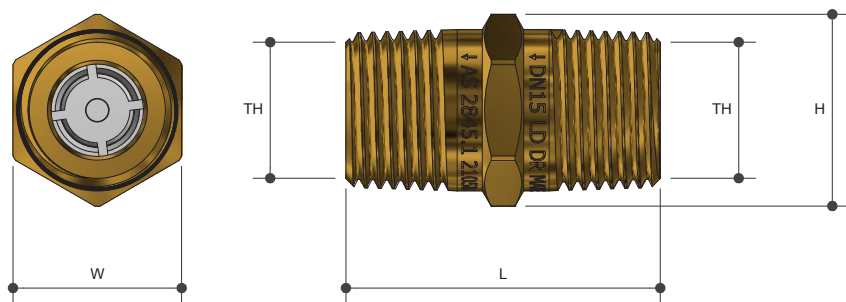


MINI DUAL CHECK VALVE

MI X MI

Product Specifications



Specifications

Maximum working temperature 60°C

Maximum working pressure 1200KPa

Sizing Chart (MM)

	L	H	W	TH
MDOV15M	41	24	22	R 1/2"
MDOV15MC*	41	24	22	R 1/2"

* Chrome Plated

Features



Watermark approved

DR Brass

Compact design

Protects against back flow and back siphonage

Suitable for horizontal and vertical installations

Low head loss

Tested and certified to AS/NZS 2845.1

Material Chart

Part	Material
Body	DR Brass
Check Valve	POM
Sure Clip	Stainless Steel
Spring	Stainless Steel
O Ring	EPDM

For more information on Logi Valve, contact:
Austworld 15 Activity Crescent, Molendinar, Queensland 4214 Australia
P. 1300 780 430 F. 1300 780 441 E. info@austworld.com.au

Austworld Pty Ltd. All rights reserved 2018. Austworld and Logi Valve are registered trade mark belonging to Austworld Pty Ltd.

